




## Product information CA 6 GS

Industrial Connecting Solutions: Circular Connectors: MIL, DIN, Universal Connectors: Signal and Power (CA series): Cable plug and panel-mounted connector: CA 6 GS

<https://www.e-catalog.beldensolutions.com:443/link/57078-24228-256281-256284-24359-24361-36081/en/conf/ui/state>

Name	CA 6 GS
	
	Panel-mounted connector with flange
<b>Delivery informations</b>	
Availability	available
<b>Product description</b>	
Description	Panel-mounted connector with flange
Type	CA 6 GS
Order No.	932 326-100
Number of contacts	6 + PE
Conductor size	max. 0.75 mm <sup>2</sup>
Housing Color	black
<b>Technical data</b>	
Pin dimensions	1.5 mm
Rated voltage	AC/DC 250 V
Rated current	10 A AC/DC
Contact resistance	<= 5 mOhm
Type of termination	solder, concave pins
Mounting	flange
<b>Material</b>	
Contact surface material	Ag
Contact bearer material	PA 66-GF 25
Housing material	PA 66-GF 25
O-Ring	NBR
<b>Environmental conditions</b>	
Protection class (IEC 60529)	IP 67
Pollution severity	3
Temperature range	-40 °C to +90 °C
<b>Inflammability class</b>	
Flammability, UL standard	94 V-0
<b>Approvals</b>	
UL	UL
VDE	VDE
<b>Packing unit</b>	
Packaging unit	100 pieces
<b>Scope of delivery and accessories</b>	
Scope of delivery	1 panel-mounted connector with sealing ring, in polyphene bag
Accessories to order separately	can be plugged into CA 6 LD; cap CA 00 SD 2, order no. 831 529-100



# HIRSCHMANN

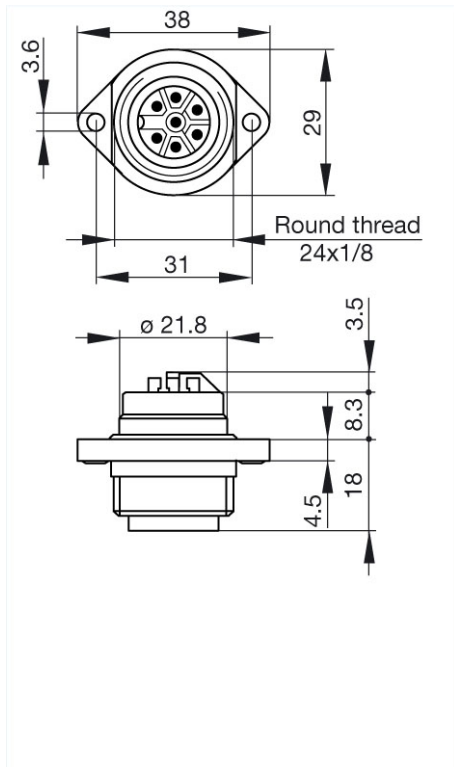
A BELDEN BRAND

Industrial Connecting Solutions: Circular Connectors: MIL, DIN, Universal Connectors: Signal and Power (CA series): Cable plug and panel-mounted connector: CA 6 GS

<https://www.e-catalog.beldensolutions.com:443/link/57078-24228-256281-256284-24359-24361-36081/en/conf/ui/state>

Picture

Drawing



#### Belden Deutschland GmbH

Im Gewerbepark 2

58579 Schalksmühle

Germany

Phone: +49 7127/14-1806

E-Mail: [icos-sales@belden.com](mailto:icos-sales@belden.com)

The information published in the websites has been compiled as carefully as possible. It is subject to alteration without notice in technical as well as in price-related/commercial respect. The complete information and data were available on user documentation. Mandatory information can only be obtained by a concrete query.