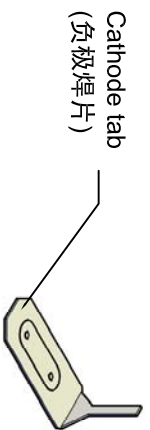


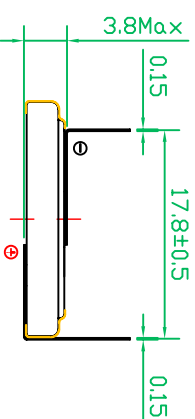
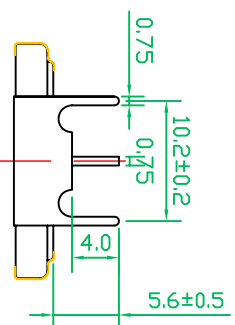
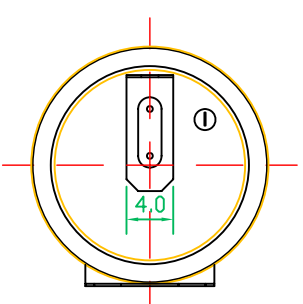
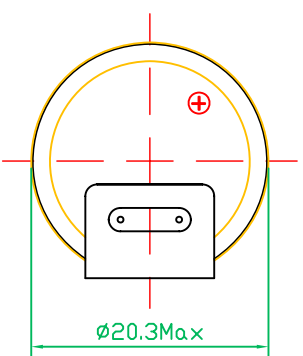
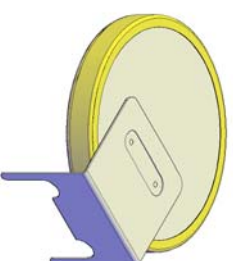
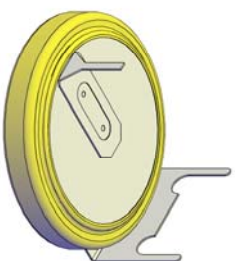
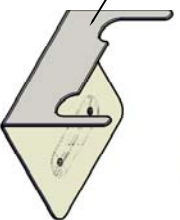
(Scale: 2 : 1)





Yellow(黄色)
PVC

Cell(电芯):CR2032
210mAh

Anode tab
(正极焊片)



4	ROHS Compliant / 严格按照ROHS要求生产	 EEMB BATTERY		Drawn:	Weibo	Revise No.:	E4-2009	
3	Cathode tab / 负极焊片			Stainless steel plated with nickel / 不锈钢镀镍	Checked 1:	Holly	Projection:	
2	Anode tab / 正极焊片			Stainless steel plated with nickel / 不锈钢镀镍	Checked 2:	Jenny	Page:	1/1
1	Cell / 电芯			Button, Yellow yellow PVC, with date code 扣式, 包黄色PVC, 电芯表面喷码	Approved:	Lily	Scale:	1.5: 1
NO.	Parts	Description	File NO.	A00025	Draw Date:	09/06/16	Unit:	mm

1 2 3 4 5 6