

Series AR13



Plug filter with fuse-box and switch, suitable for all electric applications, even for applications with microprocessor.

Filtro con spina portafusibile, interruttore a bascula adatto per tutte le applicazioni elettroniche anche a microprocessore

- **Electronics**
- High Power**
- Electromechanical**
- Custom**



Technical Specifications:

Manufacture

Metal case and line connector with 2 fuses.

Connections

Faston 6.3 x 0.8mm.

Electrical specifications:

Rated voltage (Vr)	max 125/250 Vac at 50/60 Hz
Rated current (Ir)*	6A
Leakage current (IL)	0,005mA max@220Vac/50 Hz
Voltage test (2s.)	line to ground 2250 Vdc line to line 1450 Vdc

Climatic category	HPF (25/085/21) -25°C to +85°C
--------------------------	-----------------------------------

Caratteristiche tecniche:

Costruzione

Custodia metallica e presa rete con 2 fusibili.

Terminali

Faston 6.3 x 0.8mm.

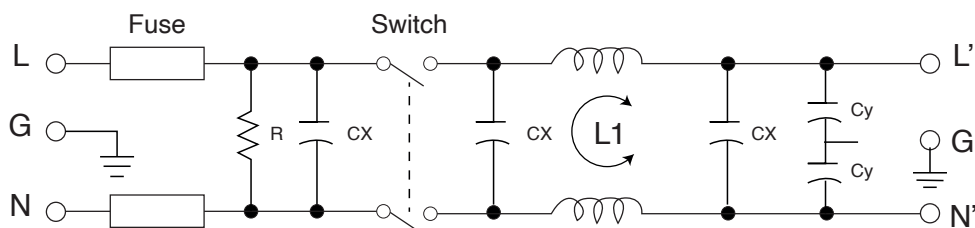
Caratteristiche elettriche:

Tensione nominale (Vr)	max 125/250 vac a 50/60 Hz
Corrente nominale (Ir)*	6A
Corrente di fuga (IL)	0,005mA max@220Vac/50 Hz
Tensione di prova (2s.)	linea e massa 2250 Vdc linea e linea 1450 Vdc

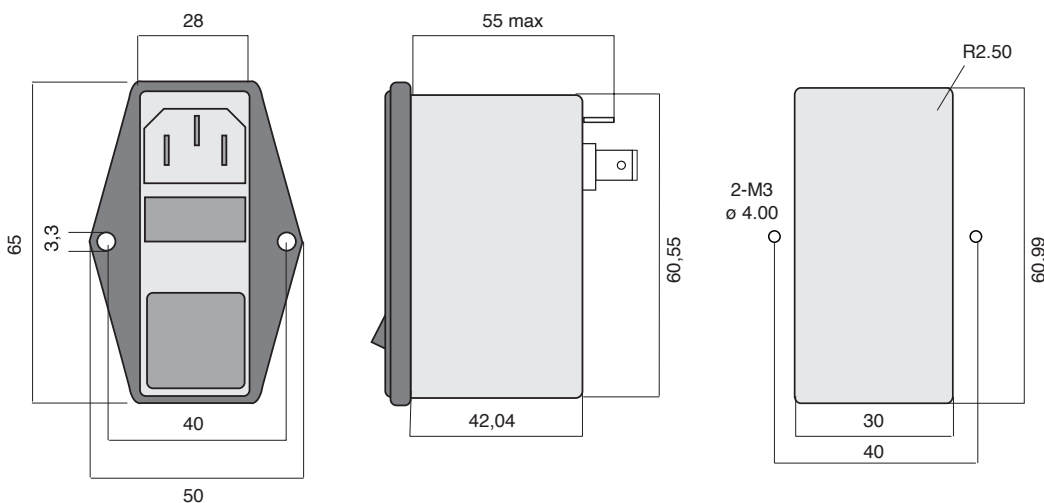
Categoria climatica	HPF (25/085/21) -25°C to +85°C
----------------------------	-----------------------------------

Code	IR(A)*	Cx(μF)	Cy(pF)	L(mH)	R(MΩ)
AR13.6A	6	3 x 0.22	2 x 2200	2 x 1	1.0

Circuit diagram



Dimensions



NEW Model SMALL

APPROVALS



ON REQUEST