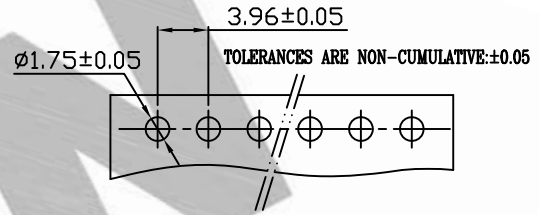
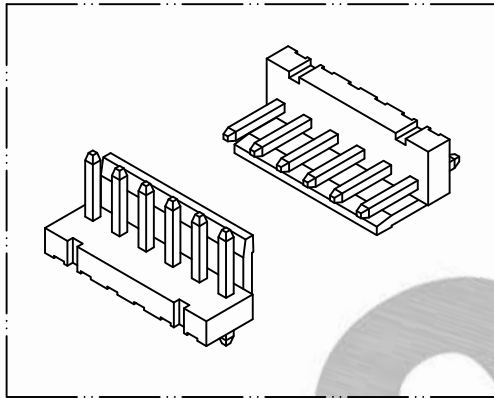
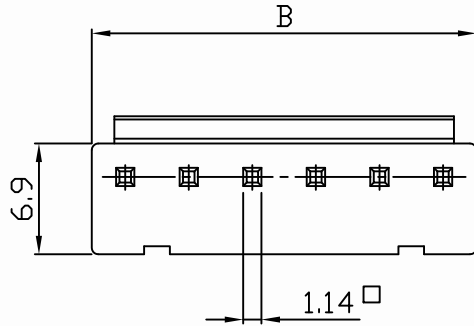
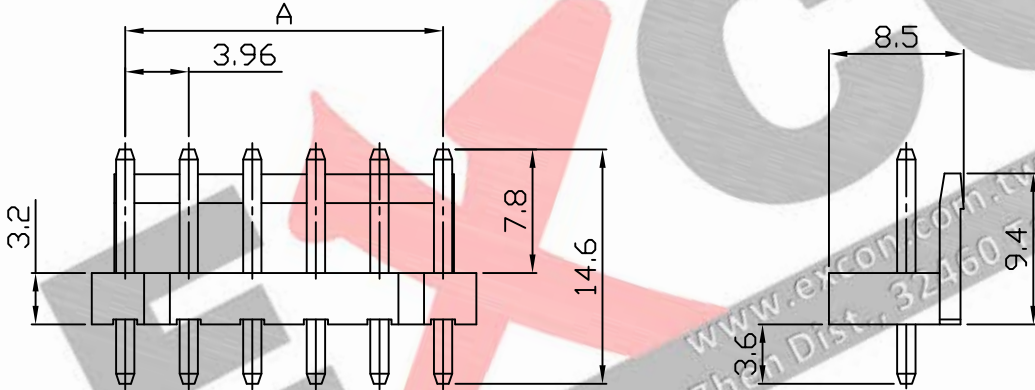


PART NO. 3962xxWV001
 DWG NO. C3962WV



RECOMMENDED PCB LAYOUT
 (PCB THK=1.0~1.6)



Dimensional & Ordering Information:

Part No.	Circuits	Dim A	Dim B	Dim C
396202WV001	2	5.30	7.92	3.96
396203WV001	3	9.26	11.88	7.92
396204WV001	4	13.22	15.84	11.88
396205WV001	5	17.18	19.80	15.84
396206WV001	6	21.14	23.76	19.80
396207WV001	7	25.10	27.72	23.76
396208WV001	8	29.06	31.68	27.72
396209WV001	9	33.02	35.64	31.68
396210WV001	10	36.98	39.60	35.64
396211WV001	11	40.94	43.56	39.60
396212WV001	12	44.90	47.52	43.56
396213WV001	13	48.86	51.48	47.52

- NOTE:
1. Wafer Material: Nylon 66 UL94V-0
Pin/Pos Material: brass bronze.
 2. Plated: Tin-plated 50u"min.
 3. Insulation resistance: 1000M ohm/min.
 4. Withstand voltage: 1500V AC/minute.
 5. Current retang: 5A AC/DC.
 6. Voltage rating: 250V AC/DC

				UNLESS OTHERWISE SPECIFIED TOLERANCES 3 PLACE ±0.5 ±0.10 2 PLACE ±1.5 ±0.25 1 PLACE ±2.0 ±0.50 ANGLE DIM		 EXCON TECHNOLOGY COMPANY	
REV.	REVISIONI		DIS	DATE	PART.NO		
SCALE	REV.	PAGE:	UNIT	mm	DWG NO:		
2/1	A	1	THIRD ANGLE PROJECTION		C3962WV		3962xxWV001