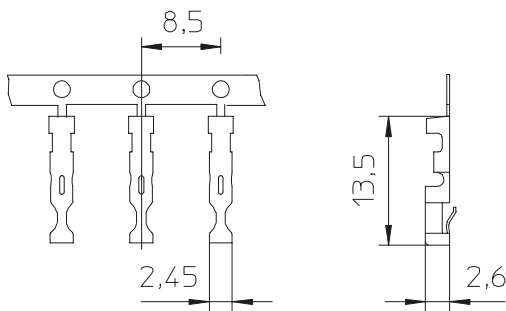


## CT84SN

## WIRE TO BOARD CRIMP CONTACT



**Features** Double wipe contact use with BS95 Housing awg 20-16

**Material** Double wipe contact use with BS442 Housing

**Electrical** Current rating: 4 A

**Mechanical** Temperature rating: -30 °C to 85 °C

**Packaging** Reel 10.000 pcs

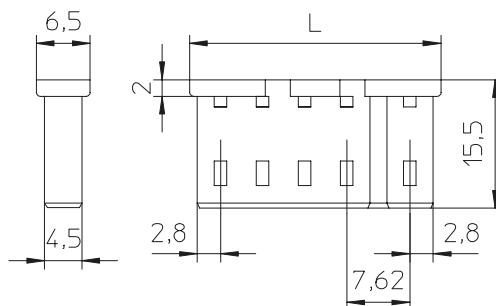
### Product Code

A

CT84SN

## BS95

## WIRE TO BOARD HOUSING



2A L=15,1  
 3A L=20,2  
 4A L=25,3  
 5A L=30,4  
 6A L=35,5  
 7A L=40,5  
 8A L=45,6

**Features** Single row housing, use with ct84 contact mates with CFM 5.08 Header

**Material** PPOM UL94V1  
 Gray colour

**Electrical** Voltage 320V

**Mechanical** Temperature rating: -30 °C to 85 °C

### Product Code

| A    | B  | C  |
|------|----|----|
| BS95 | /x | GR |

**B** Number of contacts from 02 to 08