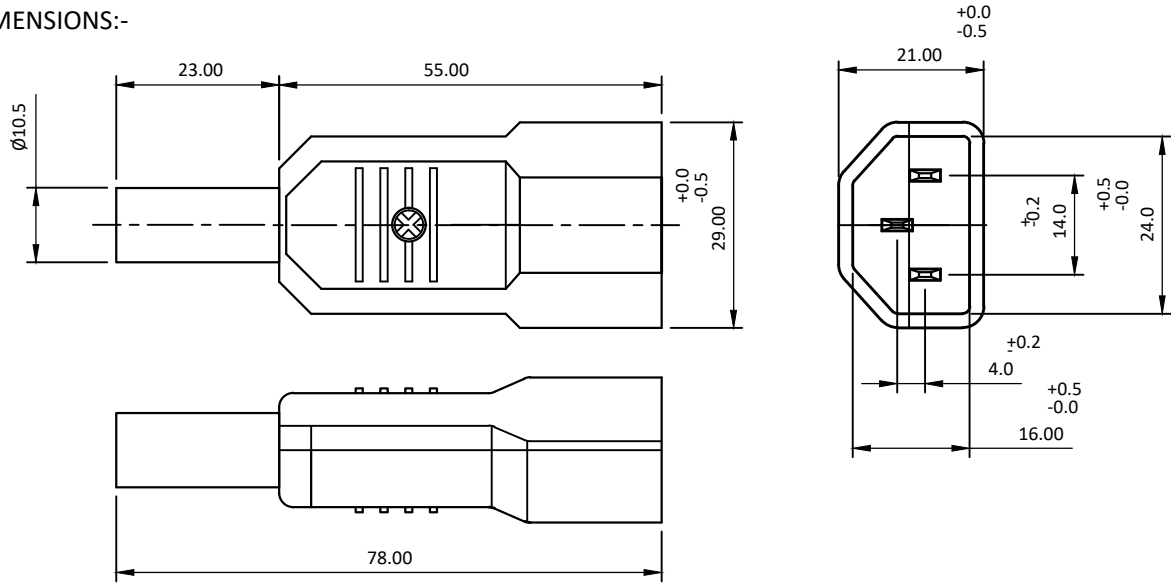


PRODUCT CODE:-
EMI-40-X (Series)

CATEGORY:-
Rewirable Plug Connector

BASIC DIMENSIONS:-



SPECIFICATION TABLE:-

SR.NO.	PARAMETER		SPECIFICATION
1	Type		Rewirable Plug Connector
2	V/A Rating		10A 250VAC 15A 250VAC
3	Contact resistance (Initial)		10 mohms max.
4	Insulation resistance at 500 V DC		100 Mohms min.
5	Cable size		0.75 Sq mm min. 1.0 Sq mm max.
6	Screw torque		4 kg cm
7	H.V.Break down test (For 1minute)		2 KV AC
8	Mounting		---
9	Terminals		Screw-type
10	Permissible temp.	(a) With/Without load	0°C To 70°C 0°C To 65°C
		(b) For Soldering	--
11	Material	(a) Body, Cable Lock	Nylon-6, 20%GF V-2
		(b) Cable Guide	PVC
		(c) Contacts, Terminals	Brass, Nickel plating
		(d) Terminal Screws	M.S. Zinc Plating
12	Reference standards		IEC 60320-1, IEC 60320-3, UL-498, CSA:C22.2 No.182.3

⊕ : Also available for temp. rating up to 125°C on request (For UL only)

ORDERING CODE:-

SR.NO.	TYPE	V/A Rating	CODE	COMPLIANCE MARKING	APPROVALS
1	Rewirable connector with flame retardant body material	10A, 250VAC With Sleeve	EMI-40-V2	 	
2	Rewirable connector with flame retardant body material	15A, 250VAC Without Sleeve	EMI-40-EV2		

REV	IS	WAS	DATE	SIGN	APP.	BY	DATE	SIGN	ELCOM				Plot E-4, Kagal Five Star MIDC, Kagal, Kolhapur, MH - 416236, India						
							17.05.07	SBP					www.elcom-in.com						
UNSP.TOLERANCE			DIMNS. IN	WT(Gm)	SCALE:-	PROJECTION	SHEET	DRAWING NUMBER											
OVER	-	1	10	mm	Max.	NTS.	1	OF	1	P	E	M	I	2	4	0	A	REVISION	
UP TO	1	10	-	Moulding, plating details as per Bill of Material				1	OF	1									0
±	0.2	0.3	0.5	Unspecified colour is Black, GF:Glass filled.															

F:ENG-08.00

Note: Technical specifications are subject to change without prior notice

Copyright © 2019 by Elcom International Pvt.Ltd, India. All rights reserved