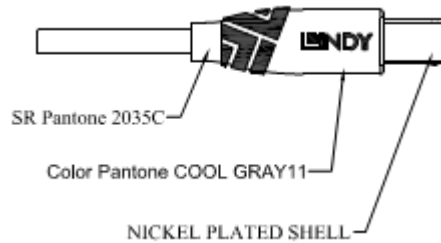
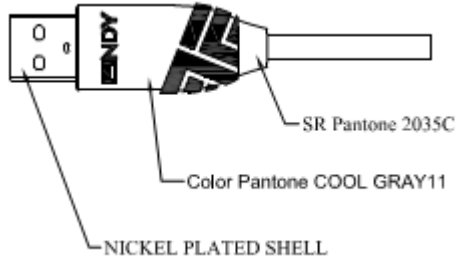


LINDY PRODUCT SPECIFICATION (1 OF 2)

Length	Polybag Size	Label Type	Product Number
0.2m	FP1	LAS	36670
0.5m	FP1	LAS	36671
1m	FP2	LAS	36672
2m	FP2	LAS	36673
3m	FP2	LAS	36674
5m	FP2	LAS	36675



LINDY Anthra Line USB 2.0 Cable lindy.com RoHS E330337 AWM Style 2725 80°C 30V



5. ELECTRICAL TEST:
- 5.1 100% OPEN SHORT & MISS WIRE TEST.
 - 5.2 INSULATION RESISTANCE : 300V 5Mohm.
 - 5.3 CONDUCTOR RESISTANCE: 2.0ohm.

Product Name: USB 2.0 Type A to B Cable, Anthra Line

- USB 2.0 type A Male to USB 2.0 type B Male, nickel shell + gold plated pins
- AWG: 28/26, OD: 4.4mm, PVC Jacket,
- Cable Colour: black
- Connector Colour: Cool Grey 11
- Grommet: red (Pantone No. 2035C)
- UL certificated: UL 2725, No. E330337
- RoHS & Reach, California Proposition 65 compliant

Packaging: Lindy polybag and label as above

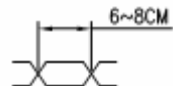
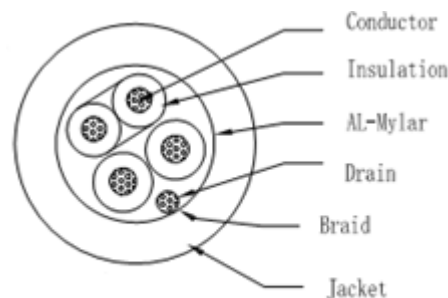
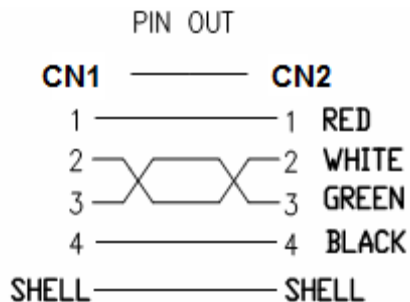
Alterations	Issue	Date	BY	GB	DE
California Proposition 65 added	1	24.09.18	ML	CS	
Housing Drawing added	2	27.11.18	ML	CS	

Drawn By: ML, 19.01.2018

All connectors viewed from front

Tolerances:
 Overall Length 0% +10%
 Conductor +/- 0.01mm per core

© Lindy group. All rights reserved. lindy.com



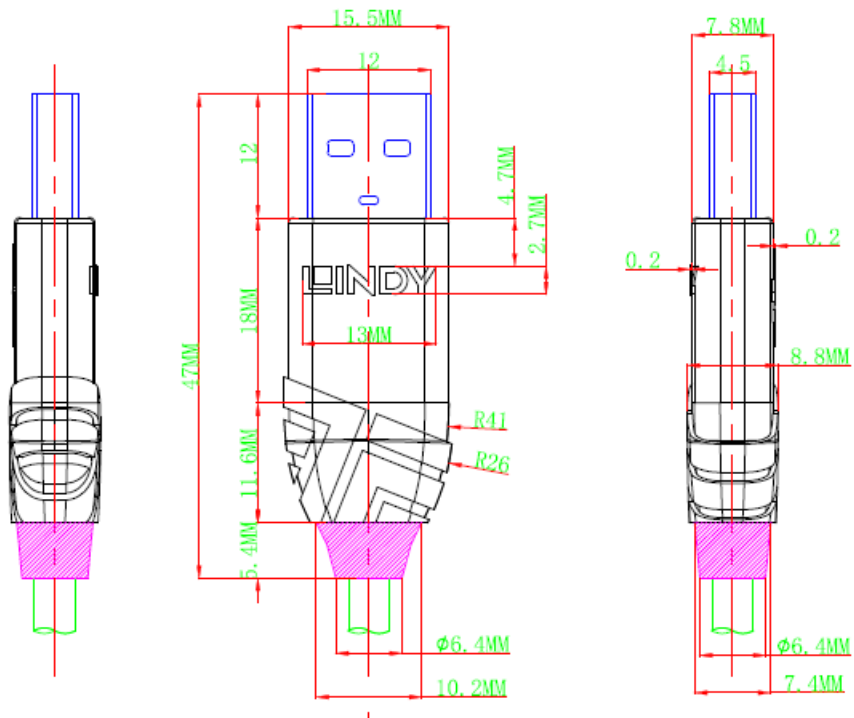
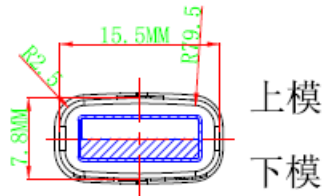
I.1 CONDUCTORS: 28AWG(7/0.127 TC)* 1P + 26AWG(7/0.16 TC)* 2C +AL/MY+D(7/0.10 BC)+ B(16/3/0.12 ALM), JACKET .OD=Ø 4.4 ± 0.2mm

LINDY PRODUCT SPECIFICATION (2 OF 2)

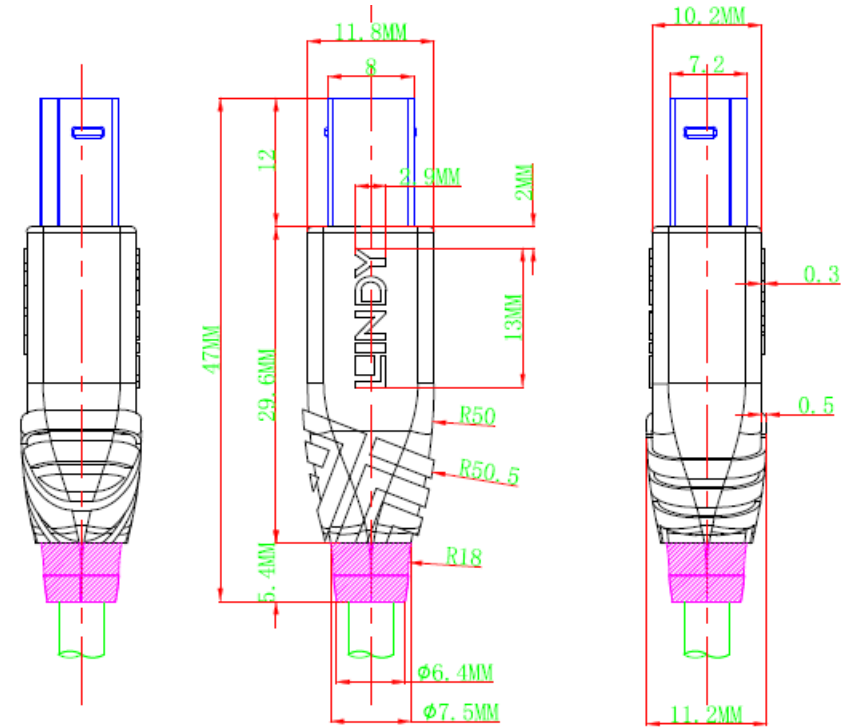
Product Number

Additional Imagery

USB Type A:



USB Type B:



- 36670
- 36671
- 36672
- 36673
- 36674
- 36675