
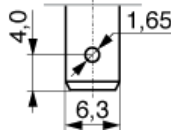



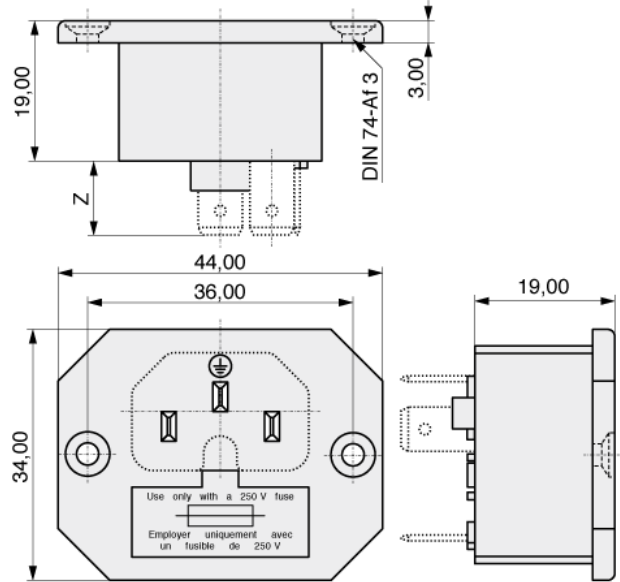


Inlet / Outlet Configuration	Inlet A - Standard C14 (70°)
	C14 
Mounting	Horizontal
Inlet termination	R - Quick connect 6,3
	
No of fuses	1
Voltage selector	Without
Switch	None
Rated current	10,0 A (15,0 A acc. UL)
Rated voltage	250 V _{RMS}
Approvals	
Z	10,00

Fused power inlet, flange version, horizontal mount optional with voltage selector.

1 fuse

Configuration/Standard sheet number please see technical data



Mounting hole.

