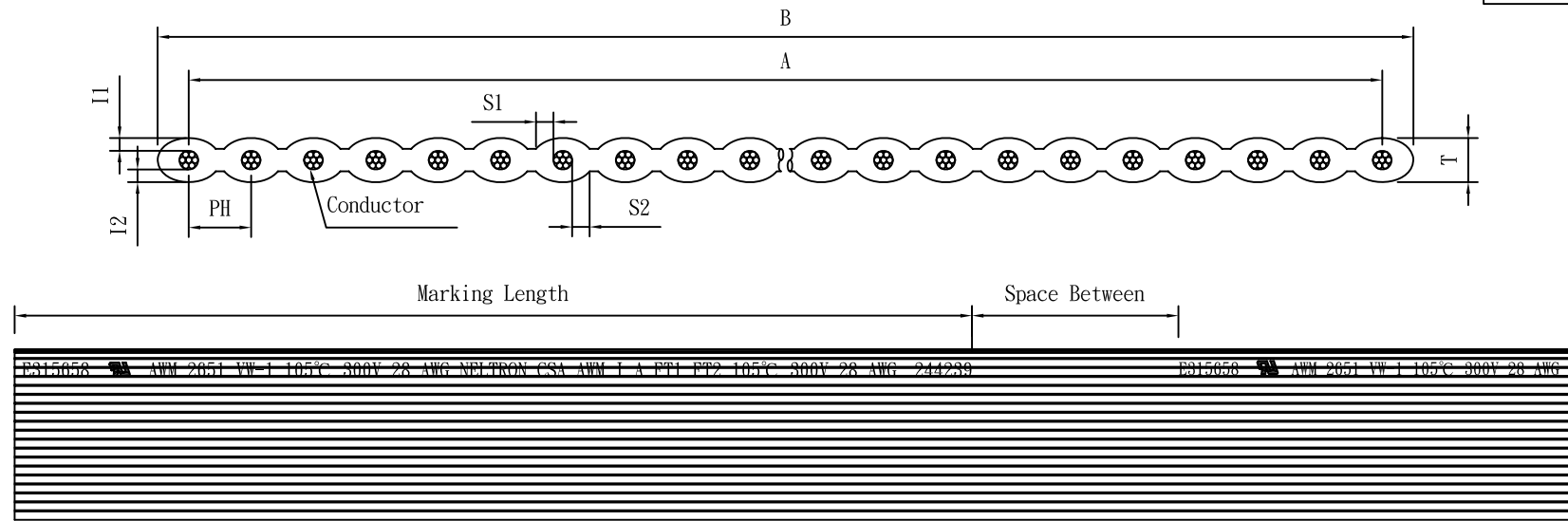
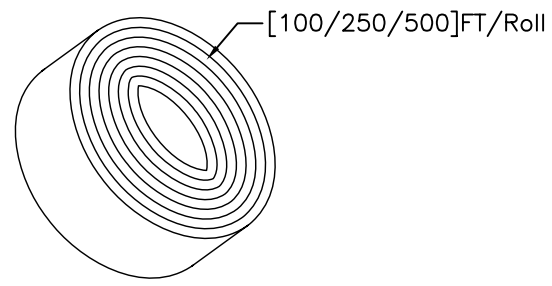


RoHS COMPLIANT


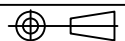


MARKING: E315658 AWM 2651 VW-1 105°C 300V 28 AWG NELTRON CSA AWM I A FT1 FT2 105°C 300V 28 AWG 244239



830-127-XXC-XXX
 Blank: 100Feet/Roll
 250: 250Feet/Roll
 500: 500Feet/Roll
 Number Pin
 1.27mm Pitch Type

Code NO.	A(mm)	B(mm)	Code NO.	A(mm)	B(mm)	CONDUCTOR SIZE: 28AWG 7/0.12MM _{±0.003}
830-127-04C-XXX	3.81±0.10	5.08±0.10	830-127-22C-XXX	26.67±0.15	27.94±0.15	PH: 1.27±0.08mm
830-127-06C-XXX	6.35±0.15	7.62±0.15	830-127-24C-XXX	29.21±0.15	30.48±0.15	T: 0.90±0.10mm
830-127-08C-XXX	8.89±0.15	10.16±0.15	830-127-25C-XXX	30.48±0.15	31.75±0.15	Marking Length: 260±20mm
830-127-09C-XXX	10.16±0.15	11.43±0.15	830-127-26C-XXX	31.75±0.15	33.02±0.15	Space Between: 70±20mm
830-127-10C-XXX	11.43±0.15	12.70±0.15	830-127-30C-XXX	36.83±0.15	38.10±0.15	[I2-I1]=I<0.15mm
830-127-12C-XXX	13.97±0.15	15.24±0.15	830-127-34C-XXX	41.91±0.20	43.18±0.20	[S2-S1]=S<0.15mm
830-127-14C-XXX	16.51±0.15	17.78±0.15	830-127-36C-XXX	44.45±0.20	45.72±0.20	
830-127-15C-XXX	17.78±0.15	19.05±0.15	830-127-40C-XXX	49.53±0.20	50.80±0.20	
830-127-16C-XXX	19.05±0.15	20.32±0.15	830-127-50C-XXX	62.23±0.20	63.50±0.20	
830-127-18C-XXX	21.59±0.15	22.86±0.15	830-127-60C-XXX	74.93±0.20	76.20±0.20	
830-127-20C-XXX	24.13±0.15	25.40±0.15	830-127-64C-XXX	80.01±0.20	81.28±0.20	

F				DRAWN: Jiang	GENERAL TOLERANCE: .X=±0.2 .XX=±0.15	 繼德工業股份有限公司 Neltron Industrial Co., Ltd.	DESCRIPTION: FLAT CABLE ASSEMBLY	SIZE A4
E								
D				CHECKED: Ruby	UNIT: MM	PART NO: 830-127-XXC-XXX		
C								SCALE:
B				APPROVAL: Mike Wu	SHEET: 1 / 1			
A	10-AUG-2010	(PC0001)	Jiang			PROJECTION: 		
REV	DATE	FILE	BY					