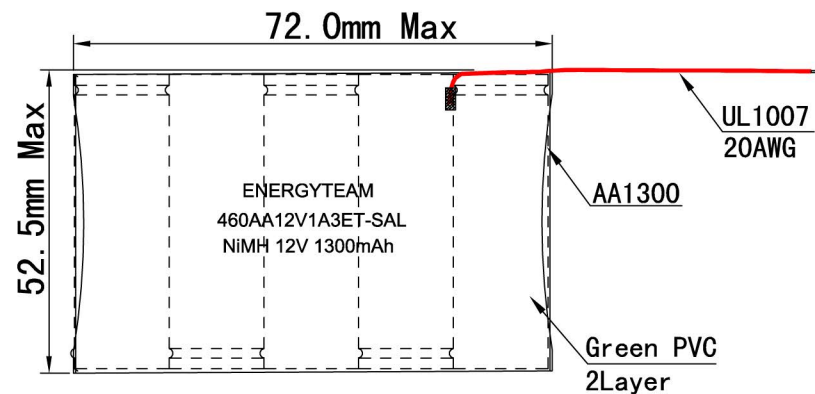
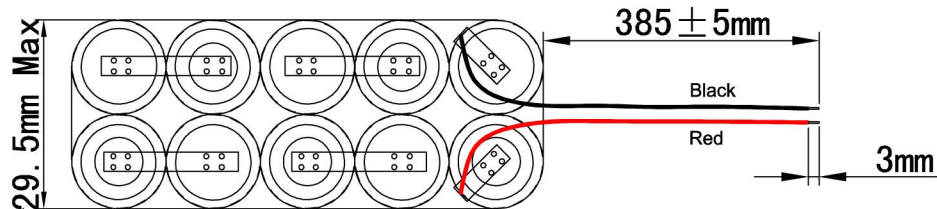
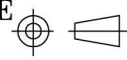


MARK	DESCRIPTION	ECO#	PREPARED	DATE
1				



Print code:
ENERGYTEAM
460AA12V1A3ET-SAL
NiMH 12V 1300mAh

TOLERANZTAFEL		NAME	Battery	MAT'L	Ni-MH	SIZE	A4
UNDER 5	± 0.03	MODEL	Ni-MH AA1300 12V	Q'TY	1	DIM	mm
5 - 15	± 0.05	DWG NO.	HWE-1703-241201		VER.	1.0	
15 - 40	± 0.10	DESIGNED	DRAWN	CHECKED	APPROVED	SHEET	1 OF 1
40 - 100	± 0.15	Harry	Harry	David	Robert	SCALE	
100 - 200	± 0.20	2017. 4. 6	2017. 4. 6	2017. 4. 6	2017. 4. 6	THIRD ANGLE PROJECTION: 	
300 - 500	± 0.30						
500 以上	± 0.50						