

SPECIFICATIONS

CONTACT RATING: 100mA max, 42 VAC/DC
 MECHANICAL LIFE: 1,000,000 cycles
 CONTACT RESISTANCE: 100mΩ max. (initial)
 INSULATION RESISTANCE: 1,000MΩ min.
 DIELECTRIC STRENGTH: 2,000VAC
 OPERATION FORCE: 3N ± 0.75N max

MATERIALS

SWITCH HOUSING: PBT/PA46 (UL94 V-0)
 TRANSPARENT ACTUATOR: PC (UL94 V-0)
 ACTUATOR: ABS
 CONTACT: Stainless, Au version tin-plated
 TERMINALS: Brass, Au version tin-plated
 TERMINAL SEAL: Epoxy



LT3 Signal indicator

INDEX

TOGGLE

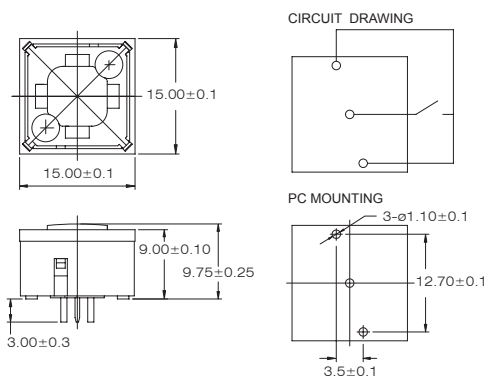
ROCKER

SLIDE

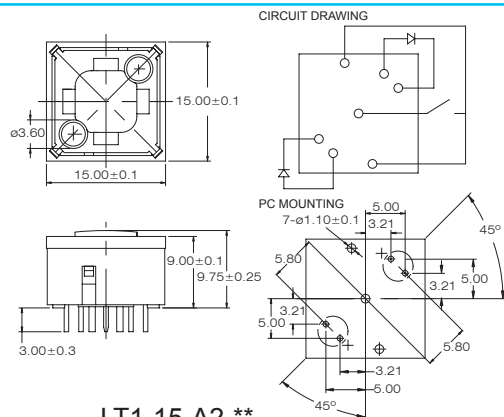
PUSH BUTTON

DIP

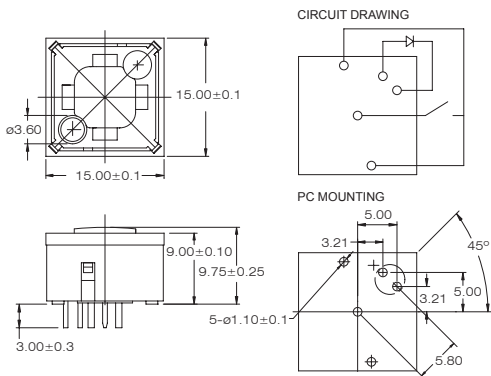
TACT



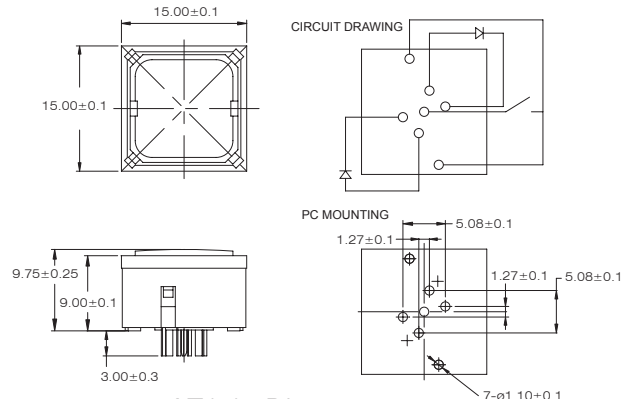
LT1-15-A0



LT1-15-A2-**



LT1-15-A1-*



LT1-15-B*

HOW TO ORDER

LT1 - 19 - HT - A0 - - - -

LT1 Series

Size:
 19 : 19 x 19mm
 15 : 15 x 15mm

HT material:
 = none
 HT= High temperature

Actuator:
 Transparent actuator

LED quantity:
 0 : no LED
 1 : one LED
 2 : two LED

LED Color:
 1 : white
 3 : red
 5 : yellow
 6 : green
 7 : blue

RoHS code:
 H : RoHS Compliant

Contact material:
 : Au version tin-plated
 Q : silver plated

Another LED Color:
 1 : white
 3 : red
 5 : yellow
 6 : green
 7 : blue

LT1 - 19 - HT - B1 - - / - -

LT1 Series

Size:
 19 : 19 x 19mm
 15 : 15 x 15mm

HT material:
 HT= High temperature

Actuator:
 Color panel actuator

Actuator color:
 1 : white
 3 : red
 5 : yellow
 6 : green
 7 : blue

RoHS code:
 H : RoHS Compliant

Contact material:
 : Au version tin-plated
 Q : silver plated

Another LED Color:
 =standard
 1 : white 3 : red
 5 : yellow 6 : green
 7 : blue

LED color:
 =standard
 1 : white 3 : red
 5 : yellow 6 : green 7 : blue

LED quantity:
 = standard (the actuator is as same as the color of LED)
 0 : no LED
 1 : one LED
 2 : two LED(the actuator is not as same as the color of LED)