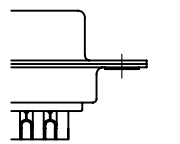
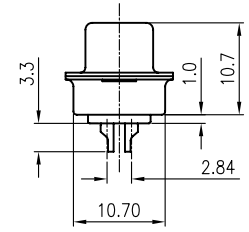
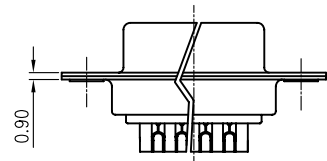
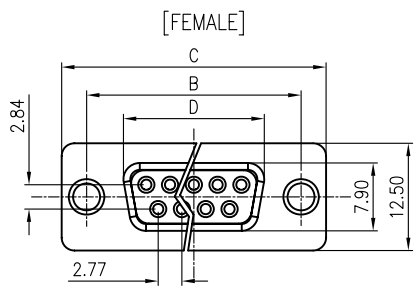


REV.	DESCRIPTION	DRAWN	CHECKED	APPROVED
A	NEW RELEASE	LJH 09/24/05'	~	LJC 09/24/05'
B	ADD 50pin drawing	LJC 02/10/07'	~	LJC 06/16/07'
C	ADD BR TYPE	YCH 07/10/07'	~	

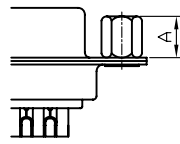
NOTES:

- ELECTRICAL CHARACTERISTICS:
 - CONTACT RESISTANCE: 20mΩ Max. INITIAL.
 - DIELECTRIC WITHSTANDING VOLTAGE: 500V AC(rms) FOR 1 MINUTE.
 - INSULATION RESISTANCE: 1000MΩ Min.
 - ENVIRONMENT CHARACTERISTICS:

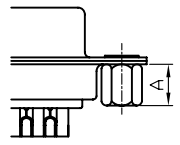
TEMPERATURE RANGE: -45°C~+105°C.
 - PART NUMBER: DS1033
 - PRODUCT NUMBER CODE:
DS1033- X X X X X X X
- SCREW DIM. A
 - S: Standard(W/O nut)
 - 1: 5.00
 - 2: 3.00
 - 3: 5.20
 - 4: 4.80
 - 5: 5.80
 - 6: 4.00
 - SCREW TYPE
 - S: Standard(W/O nut)
 - 1: CC TYPE
 - 2: CS TYPE
 - 3: CSH TYPE
 - CONTACT PLATING
 - 8: FULL GOLD FLASH
 - Si: SELECTIVE GOLD FLASH
 - 6: Full Tin
 - SHELL PLATING
 - T: FRONT & BACK SHELL Tin
 - N: FRONT SHELL Nickel, BACK SHELL Tin
 - HOUSING COLOR
 - B: BLACK
 - W: WHITE
 - U: BLUE
 - CONNECTOR TYPE
 - M: Male
 - F: Female
 - No.OF CONTACTS
 - 09: 9pos.
 - 15: 15pos.
 - 25: 25pos.
 - 37: 37pos.
 - 50: 50pos.



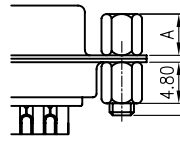
Standard



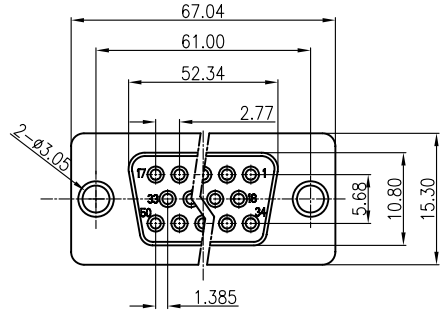
CC TYPE



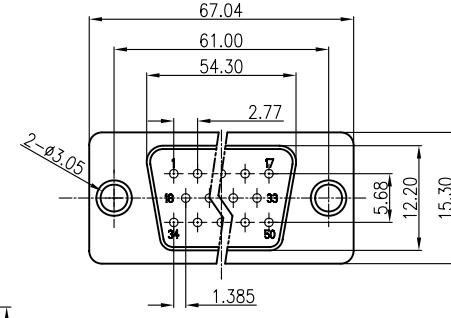
CS TYPE



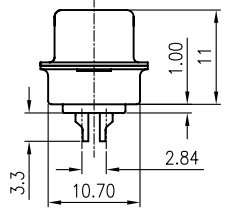
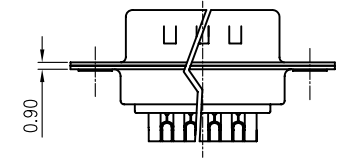
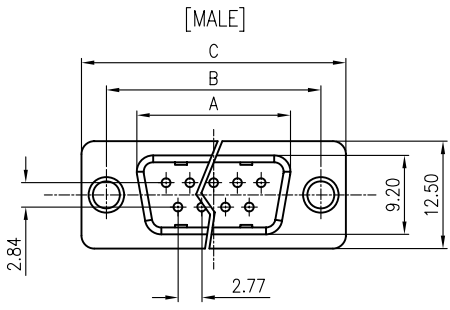
CSH TYPE



50pin Female Figure



50pin Male Figure




Dimension

Position	A±0.2	B±0.2	C±0.3	D
9	17.90	24.99	30.80	16.33
15	26.50	33.32	39.14	24.66
25	40.00	47.04	53.04	38.38
37	56.50	63.50	69.32	54.84

GENERAL TOLERANCE	ANGLE TOLERANCE
X. ±0.60	X. ±5°
.X ±0.38	.X ±3°
.XX ±0.25	.XX ±2°

PROJECTION	TITLE
UNITS: mm	D-SUB SOLDER TYPE
SHEET SIZE: A4	SERIES: DS1033 SERIES

DRAWING TYPE	CUSTOMER
SCALE: 1:1	SHEET: 1 OF 1
DRAWING NO.:	C-DS1033-XXXXXXX


晨翔电子有限公司
CONNFLY CONNFLY ELECTRONIC CO. LTD