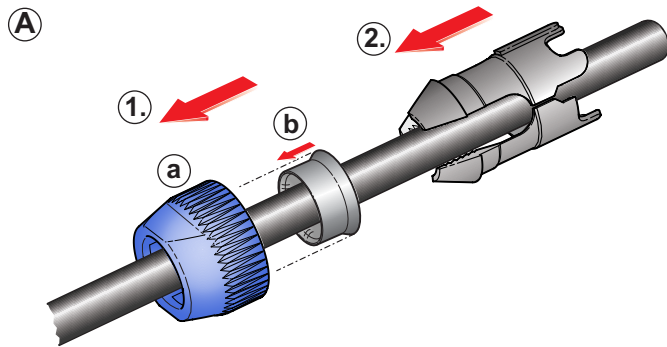




ASSEMBLY INSTRUCTION

NL8FC | speakON® - Lockable Loudspeaker Connector

Attention: speakON is not to be used as an AC mains or power supply connector!



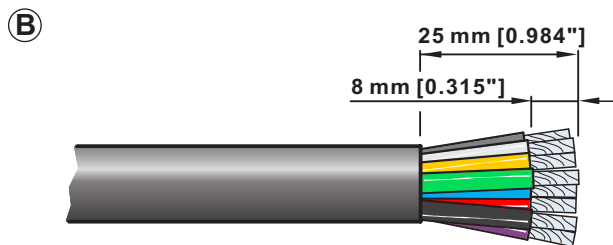
A Place the bushing (1) and the chuck (2) over the cable.

Bushing (a) with reducing sleeve (b):

8.0 - 15.0 mm [0.315" - 0.591"]

Bushing (a):

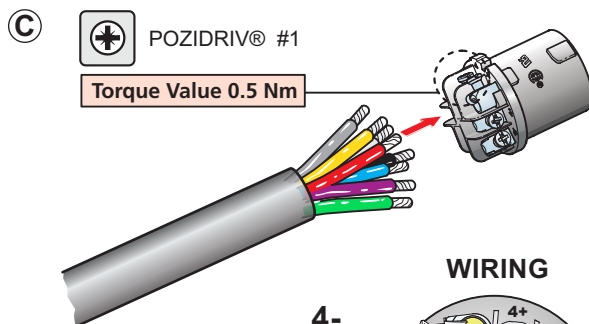
15.0 - 20.0 mm [0.591" - 0.787"]



B Prepare the cable as shown.

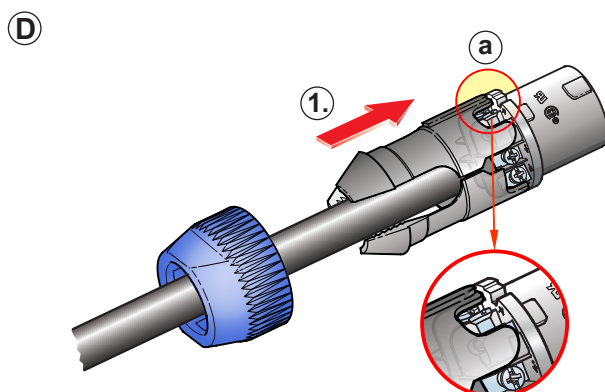
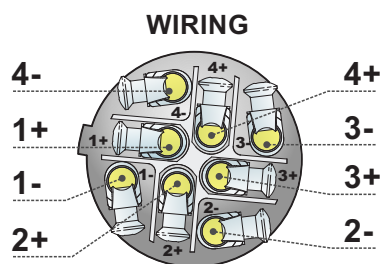
Cable O.D.: 8.0 - 20.0 mm [0.315" - 0.787"]

Wire size: 4 mm² (AWG 12)



C Insert the wires into the terminals and fasten the clamping device with a screw driver (POZIDRIV® #1).

Max. torque 0.5 Nm (0.37 lb-ft).

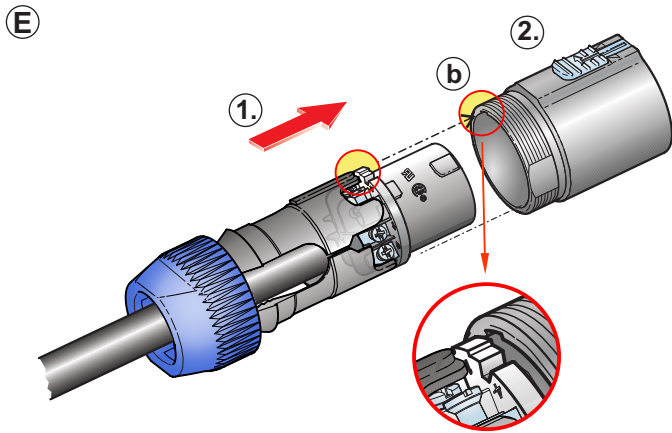


D Slide the chuck (1) onto the insert.

Important:

(a) Align the chuck by positioning the nose into the recess.



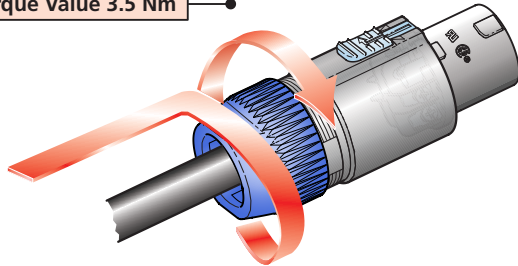


E Slide the insert and the chuck (1) into the housing (2).

Important:
(b) Pay attention to the guiding keyway!

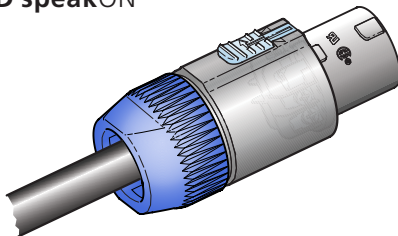
F  Wrench size
1 1/16" (SW27)

Torque Value 3.5 Nm



F Fasten the bushing with a fork wrench 1 1/16" (SW 27), max. Torque 3.5 Nm (2.58 lb-ft).

FINISHED speakON



NL8FC



Find more details of speakCON on www.neutrik.com.

NEUTRIK AG LI T: +423/237 24 24 F: +423/232 53 93
 NEUTRIK USA Inc. USA T: +1 704 / 972 3050 F: +1 704/438 9202
 NEUTRIK (UK) Ltd. UK T: +44 1983 / 811 441 F: +44 1983/811 439
 NEUTRIK Vertriebs GmbH DE/NL/AT/DK T: +49 8131 / 280 890 F: +49 8131/280 830

NEUTRIK France FR T: +33 1/4131 6750 F: +33 1/4131 0511
 NEUTRIK Tokyo Ltd. JP T: +81 3/3663 4733 F: +81 3/3663 4796
 NEUTRIK Hong Kong Ltd. HK T: +852/2687 6055 F: +852/2687 6052
 NEUTRIK India Pvt. Ltd. IND T: +91/982 05 43 424 F: +91/22 26163 540

Draft. Nr.: BDA 456 | Update: 22.11.2016 | Data subject to change without prior notice. ©2016 NEUTRIK®. ALL RIGHTS RESERVED. NEUTRIK® is a registered trademark.