

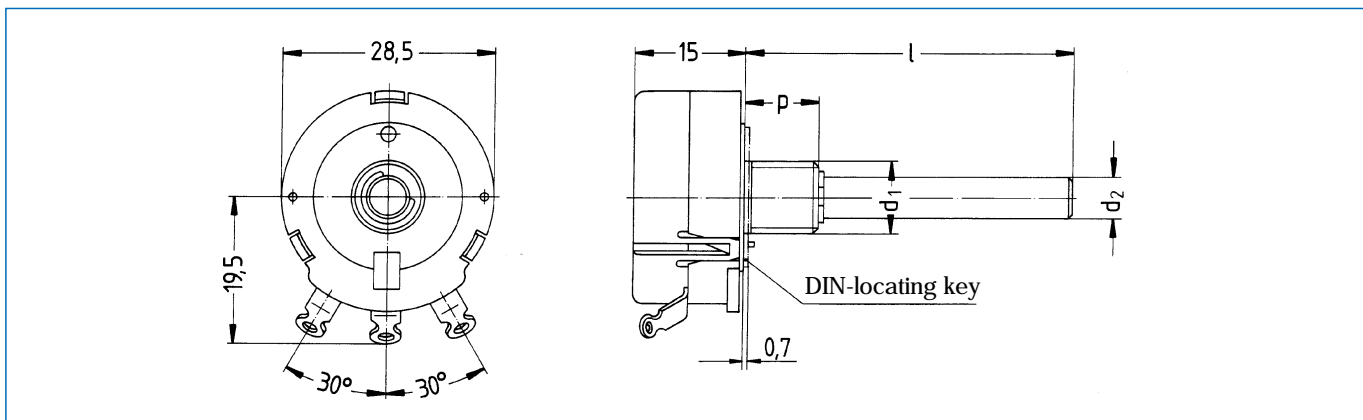
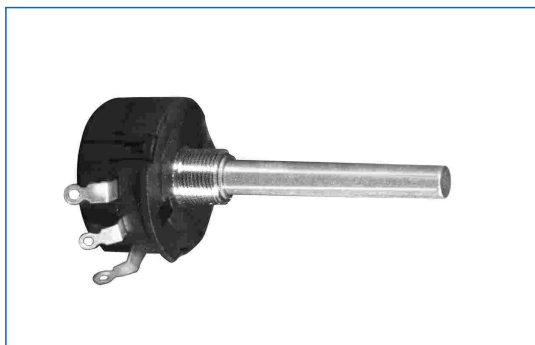


Series ABW 2

Ordering code no.: 31 143

Type ABW 2 / N

Basic design: encased, nominal width 28,5 mm, solder tag terminals



Technical data

Rated resistance range:

5 Ω - 22 kΩ
± 10 % (< 10 Ω ± 20 %)

Resistance tolerance:

on request ± 5 %, ± 2 %
lin (lg on request)

Law (resistance taper):

Independent linearity:

± 2 % (on request ± 1 %)

Rated dissipation:

2 W / 40°C

Limiting element voltage:

300 V

Isolation voltage:

1 kV ~

Temperature range:

- 40°C to + 90°C

Temperature coefficient:

see table

Insulation resistance:

1 GΩ

Electrical travel:

270° ± 5°

Mechanical travel:

300° ± 5°

Operating torque:

0,7 - 2,5 Ncm

End stop torque:

100 Ncm

Durability:

10 000 cycles

Spindles

- Metal

- End of spindle according to customer specification (length, flat)

l (mm)	p (mm)	d ₂ (mm)	d ₁
standard 50	8	6	M10 x 0,75

Temperature coefficient and resolution

R _N	10 Ω	22 Ω	47 Ω	100 Ω	220 Ω	470 Ω	1 kΩ	2,2 kΩ	4,7 kΩ	10 kΩ	22 kΩ
TC-value ppm / °C	+ 400	+ 400	+ 400	+ 400	+ 40 - 80	+ 40 - 80	+ 40 - 80	+ 40 - 80	+ 40 - 80	+ 140	+ 140
Resolution %	1	0,68	0,59	0,41	0,35	0,29	0,3	0,2	0,12	0,17	0,12

Technical details subject to change