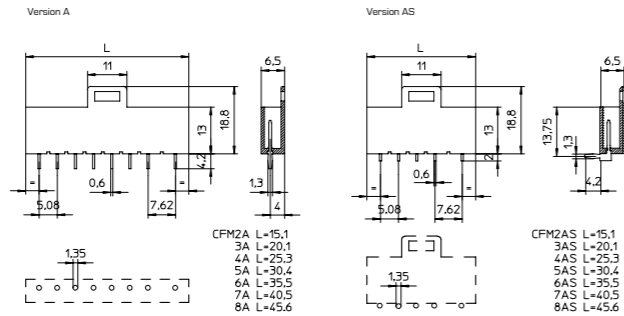


**CFM**

**WIRE TO BOARD SHROUDED HEADER**



**Features** Friction lock single row header, mates with BS95

**Material** PA UL94V0

**Electrical** Voltage 320 V  
Current rating 4A

**Mechanical** Temperature rating: -30 °C to 85 °C

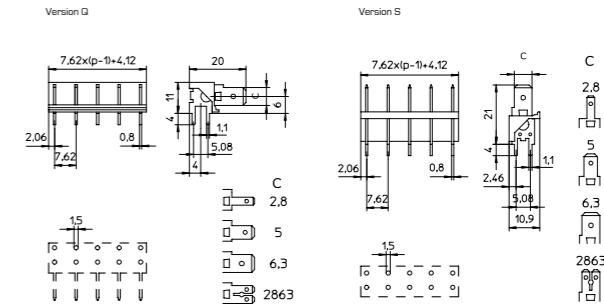
**Product Code**

A	B	C	D
CFM	/xx	x	GR

- B** Number of contacts from 02 to 08
- C** A: straight  
AS: right angle

**CQ**

**WIRE TO BOARD FAST - ON**



**Features** Fast - on header 7.62 mm pitch  
UL file number E150931

**Material** Insulator: PC UL94V0  
Contact: FeP02  
Plating Ni+Sn

**Electrical** Voltage 320 V  
Current rating depending on contact shape C 2.8=6A 5=10 A 6.3=16 A 2863=16 A max depending on cable side

**Mechanical** Temperature rating: -30 °C to 85 °C

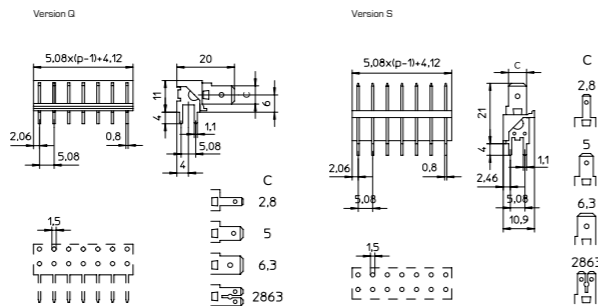
**Product Code**

A	B	C	D
CQx	/Bx	/x	NE

- A** Version:  
S Straight  
Q Right angle
- B** Number of contacts from 02 to 11
- C** Terminal shape (see drawing)

**CQ**

**WIRE TO BOARD FAST - ON**



**Features** Fast - on header 5.08 mm pitch  
UL file number E150931

**Material** Insulator: PC UL94V0  
Contact: FeP02  
Plating Ni+Sn

**Electrical** Voltage 200 V  
Current rating depending on contact shape C 2.8=6A 5=10 A 6.3=16 A 2863=16 A max depending on cable side

**Mechanical** Temperature rating: -30 °C to 85 °C

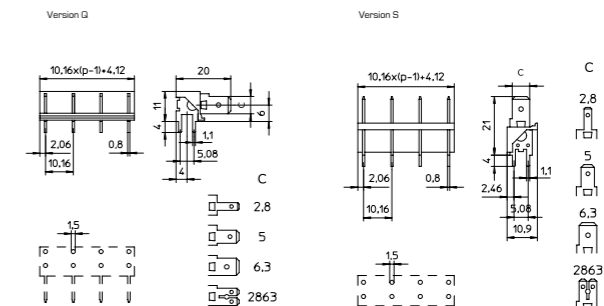
**Product Code**

A	B	C	D
CQx	/Ax	/x	NE

- A** Version:  
S Straight  
Q Right angle
- B** Number of contacts from 02 to 17
- C** Terminal shape (see drawing)

**CQ**

**WIRE TO BOARD FAST - ON**



**Features** Fast - on header 10.16 mm pitch  
UL file number E150931

**Material** Insulator: PC UL94V0  
Contact: FeP02  
Plating Ni+Sn

**Electrical** Voltage 500 V  
Current rating depending on contact shape C 2.8=6A 5=10 A 6.3=16 A 2863=16 A max depending on cable side

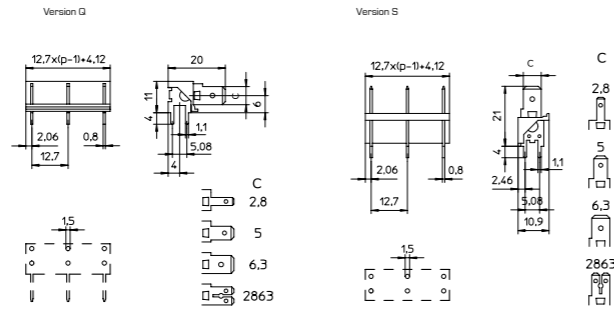
**Mechanical** Temperature rating: -30 °C to 85 °C

**Product Code**

A	B	C	D
CQx	/Cx	/x	NE

- A** Version:  
S Straight  
Q Right angle
- B** Number of contacts from 02 to 09
- C** Terminal shape (see drawing)

WIRE TO BOARD FAST - ON



**Features** Fast - on header 12.7 mm pitch  
UL file number E150931

**Material** Insulator: PC UL94V0  
Contact: FeP02  
Plating Ni+Sn

**Electrical** Voltage 630 V  
Current rating depending on contact shape C 2.8=6A 5=10 A 6.3=16 A 2863=16 A max depending on cable side

**Mechanical** Temperature rating: -30 °C to 85 °C

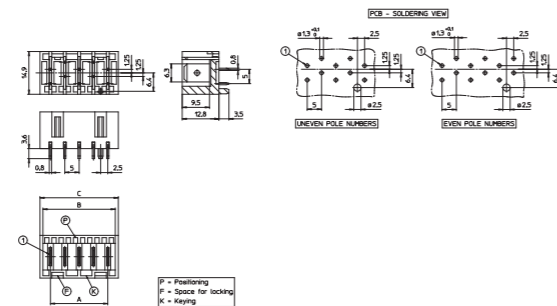
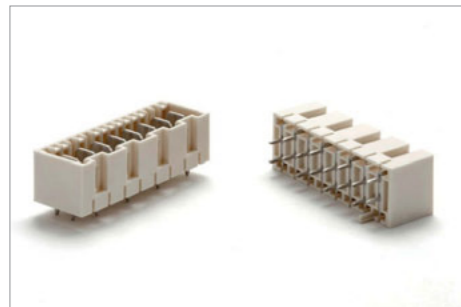
Product Code

A	B	C	D
CQx	/Dx	/x	NE

<b>A</b>	Version: S Straight Q Right angle
<b>B</b>	Number of contacts from 02 to 07
<b>C</b>	Terminal shape (see drawing)

RAST 5

HEADER VERTICAL PTH



**Features** PCB male header, 90°, pitch 5 mm

**Material** Insulator:  
PA 66 UL-V0 GWT-compliant  
Contact: Brass Tin Plated

**Electrical** Current rating: 10 A  
Dielectric withstanding: 250 V  
Insulation resistance: 1000 Ω mini  
Contact resistance: 10 mΩ max

**Mechanical** Temperature Range:  
-30 °C to 120 °C

Product Code

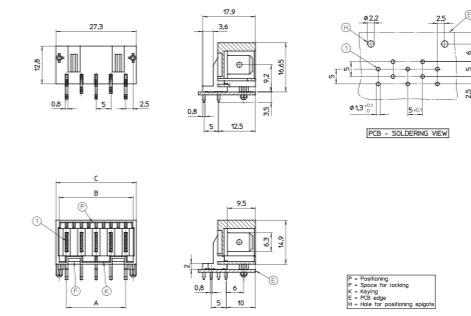
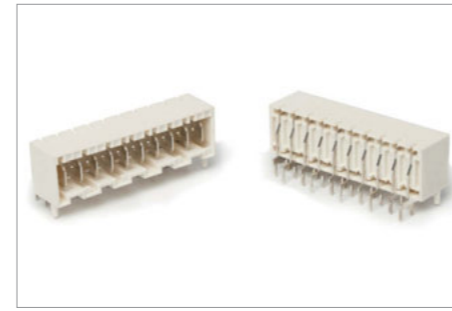
A	B	C	D	E
CTR1	P5	xx	Vyy	NA

<b>C</b>	Number of contacts from 02 to 16
<b>D</b>	Different version, depending on P-F-K
<b>E</b>	NA: Natural colour of the plastic body

Position	A	B	C
02	5.00	10.20	12.30
03	10.00	15.20	17.30
04	15.00	20.20	22.30
05	20.00	25.20	27.30
06	25.00	30.20	32.30
07	30.00	35.20	37.30
08	35.00	40.20	42.30
09	40.00	45.20	47.30
10	45.00	50.20	52.30
11	50.00	55.20	57.30
12	55.00	60.20	62.30
13	60.00	65.20	67.30
14	65.00	70.20	72.30
15	70.00	75.20	77.30
16	75.00	80.20	82.30

RAST 5 90°

HEADER HORIZONTAL PTH



**Features** PCB male header, 90°, pitch 5 mm

**Material** Insulator:  
PA 66 UL-V0 GWT-compliant  
Contact: Brass Tin Plated

**Electrical** Current rating: 10 A  
Dielectric withstanding: 250 V  
Insulation resistance: 1000 Ω mini  
Contact resistance: 10 mΩ max

**Mechanical** Temperature Range:  
-30 °C to 120 °C

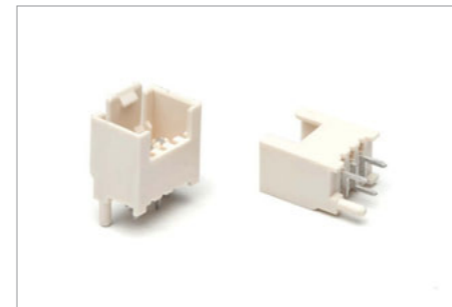
Product Code

A	B	C	D	E	F
CTR1	P5	xx	SQ	Vyy	NA

	Position	A	B	C
	02	5.00	10.20	12.30
<b>C</b>	03	10.00	15.20	17.30
	04	15.00	20.20	22.30
	05	20.00	25.20	27.30
<b>D</b>	06	25.00	30.20	32.30
	07	30.00	35.20	37.30
	08	35.00	40.20	42.30
<b>E</b>	09	40.00	45.20	47.30
	10	45.00	50.20	52.30
	11	50.00	55.20	57.30
<b>F</b>	12	55.00	60.20	62.30

RAST 2.5

HEADER VERTICAL PTH



NEW PRODUCT UNDER DEVELOPMENT, PLEASE CONTACT US FOR ANY REQUEST.