

WIRE TO BOARD
CRIMP CONTACT

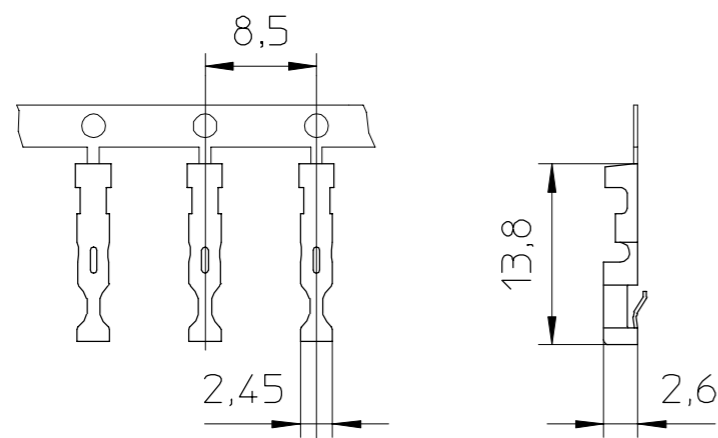
CT84SN



- Features** Double wipe contact use with BS95 Housing awg 30-16
- Material** Double wipe contact use with BS442 Housing
- Electrical** Current rating: 4 A
- Mechanical** Temperature rating: -30 °C to 85 °C
- Packaging** Reel 10.000 pcs

Product Code

A
CT84SN



"Due to technical progress, all design, specification and components are subject to change without notice".

WIRE TO BOARD
HOUSING

BS95

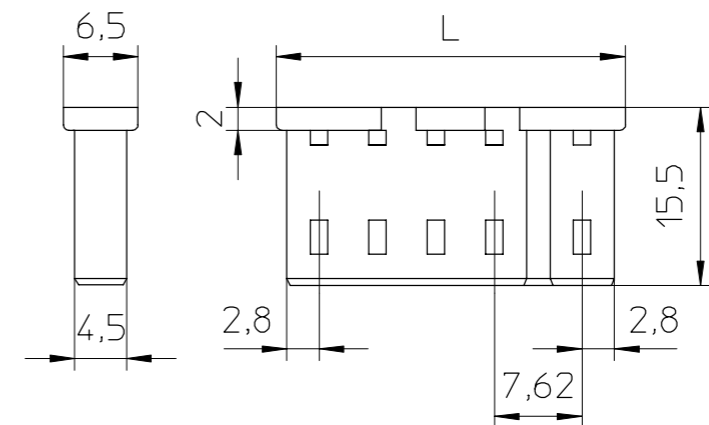


- Features** Single row housing, use with ct84 contact mates with CFM 5.08 Header
- Material** PPOM UL94V1
Gray colour
- Electrical** Voltage 320V
- Mechanical** Temperature rating: -30 °C to 85 °C

Product Code

A	B	C
BS95	/x	GR

B Number of contacts from 02 to 08



- 2A L=15,1
- 3A L=20,2
- 4A L=25,3
- 5A L=30,4
- 6A L=35,5
- 7A L=40,5
- 8A L=45,6

"Due to technical progress, all design, specification and components are subject to change without notice".