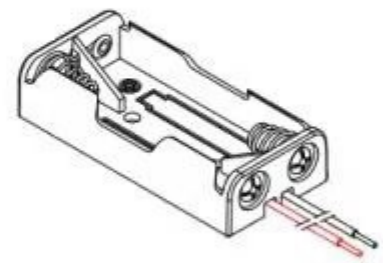
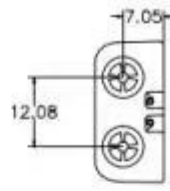
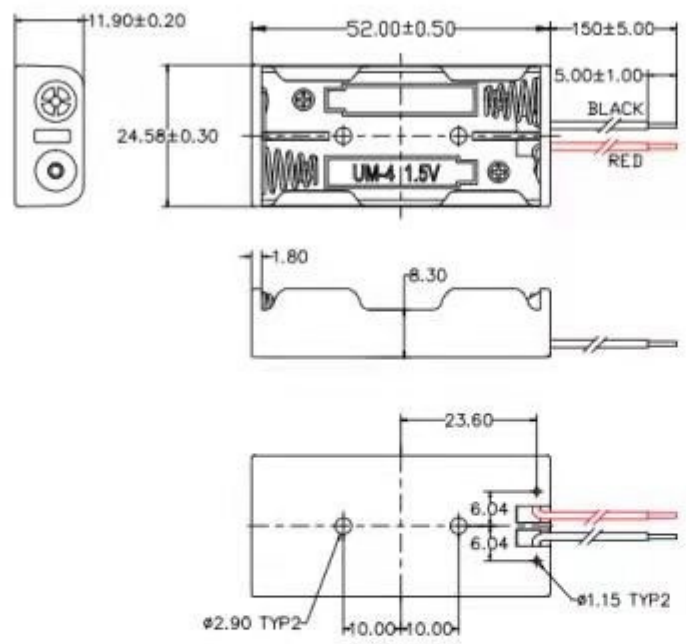
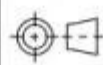


HSF RoHS 



NOTE:

- * Base Material: PP Resin,Black
- * Flammability Rating: UL94-HB or Custom Made
- * Temperature Range: -10°C to 80°C
- * Wire: UL1007 26# AWG,300V,80°C
150±5mm,Strip and Tin 5±1mm
- * Spring: 0.64mm 65C Spring Wire,Nickel Plated
- * Rivets: Brass, Nickel Plated
- * RoHS COMPLIANT

PART NAME			
TWO 'AAA' CELLS HOLDER			
PROJECTIVE	TOLERANCES	[MM]	DRN BY
	DECIMAL	[±.10]	HYQ
	ANGULAR	±0.50°	APPD
	UNLESS OTHERWISE SPECIFIED		XGY
		DWG NO.	DATE
		421-1W	2021 06 04
			SCALE
			1X
			CODE
			AAA