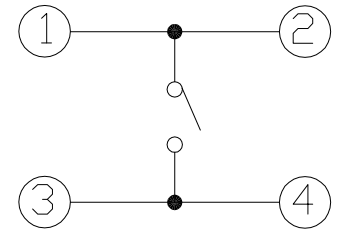
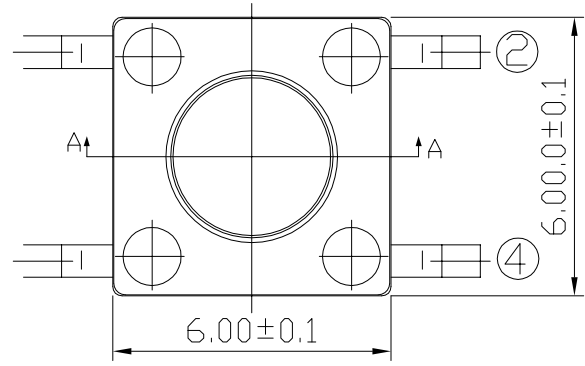
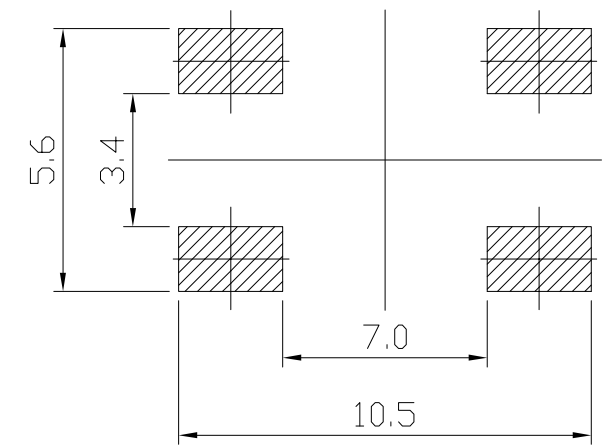


HSF RoHS 

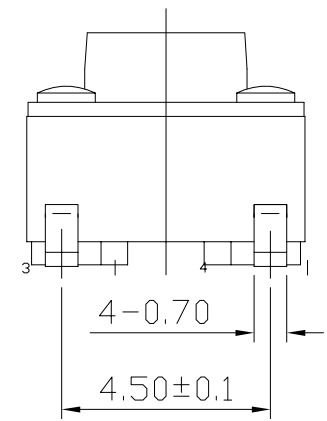
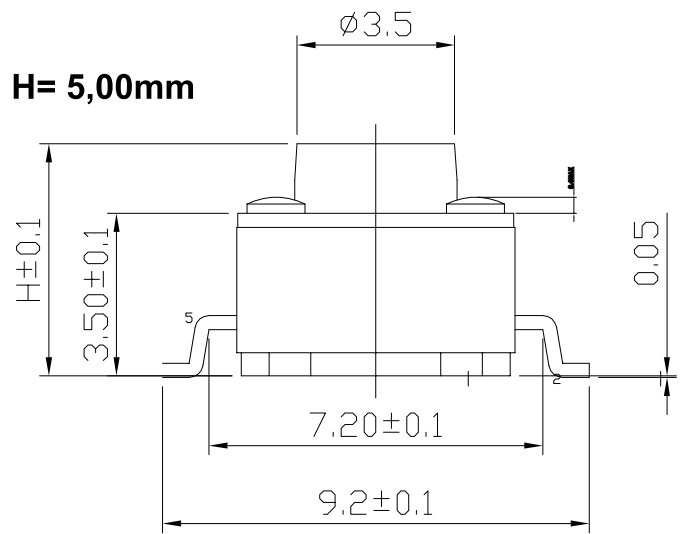
REV.	EC#	DESCRIPTION	DATE	DRAWN	CHECK	APPROVED
1.00						



CIRCUIT DIAGRAM



P. C. B LAYOUT



NOTE
 1. RATING : DC 12V 50mA
 2. CONTACT RESISTANCE : 100mΩ MAX
 3. GENERAL TOLERANCE : ±0.3
 4. OPERATING FORCE: 160GF ± 30GF & 250GF ± 50GF
 5. LIFECYCLES: 100,000 CYCLES

No.	PART NAME	QTY	MATERIAL (THICK, COLOR)	REMARK
5	TERMINAL	1	BRASS	Ag Plating
4	CONTACT	1	PHOSPHOR BRONZE	Ag Plating
3	COVER	1	SPCC	
2	BASE	1	PPA	
1	STEM	1	PPA	Black

GENERAL TOLERANCES			
DIM	TOL	DIM	DEG
X.		X'	±5.00°
X.X	±1.00	X.X'	±3.00°
X.XX	±0.50	X.XX'	±2.00°
X.XXX	±0.25	X.XXX'	

paXive		elcoteam professionisti dell'elettronica	
DRAW :	qyp	2011-7-8	TITLE: TACT SWITCH
DESIGN:	H F	2011-7-8	DRAW NAME: SWTA6647
CHECK:	qrj	2011-7-8	SERIES:
APPROVED:	james	2011-7-8	P/N: SWTA6647-SMD
CUSTOMER DRAWING	REV. 1.02	SCALE N/A	DRAW NO.:
			UNIT: SHEET: mm 1/1