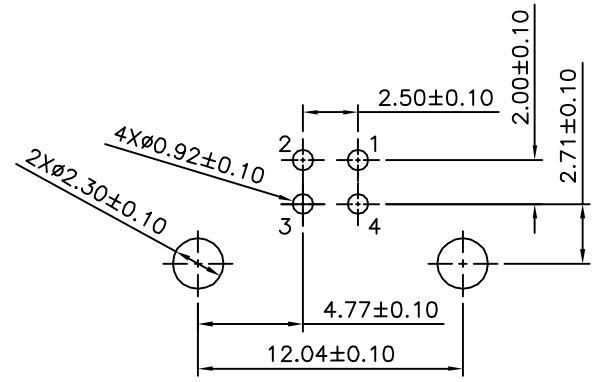
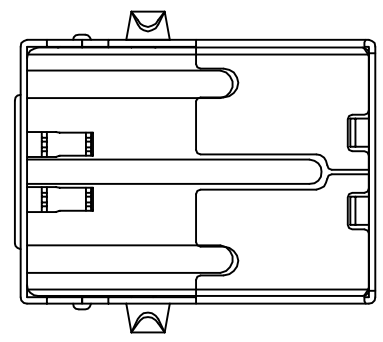
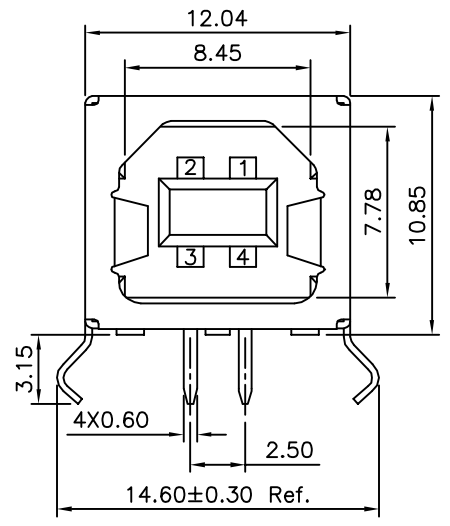
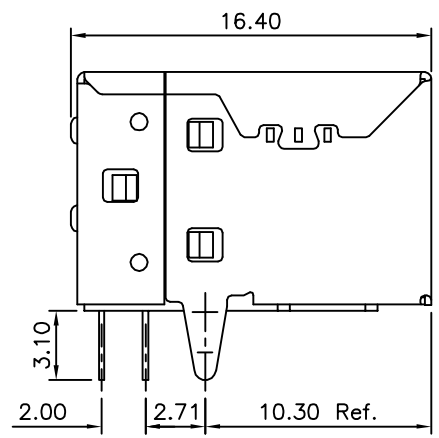
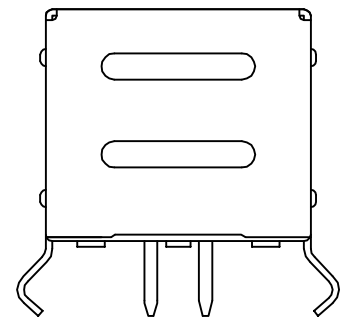


SPECIFICATION
 Current Rating:1.5A
 Voltage:30V Max.
 Withstanding Voltage:500V AC For 1 Minute
 Contact Resistance:30 Milliohms Max.
 Insulation Resistance:1000 Megaohms Min.
 Temperature Range:-55°C~+85°C
 Mating Force:35N Max.
 Withdrawal Force:10N Min.
 Durability:1500 Cycles Min.
 Contact:Phosphor Bronze
 Insulator:PBT+30%G.F.(UL94V-0)
 Front Shell:Brass,Nickel Plated
 Back Shell:SPCC,Nickel Plated
 RoHS Compliant



Recommended P.C.B. Layout(Component Side)
 Tolerance:±0.05

USB 2X02 SR - XX - SXX - H
 (1) (2) (3) (4) (5) (6)

- (1) USB:USB Series
- (2) 2X02:B Type
- (3) SR:Female DIP Right Angle
- (4) XX:Insulator Color
 Blank:White
 BK:Black
 BL:Blue
- (5) SXX>Contact Finish
 Blank:Gold Flash On Contact Area,Tin Plated On Solder Tails,Over Nickel
 S30:Gold Plated 30u" On Contact Area, Tin Plated On Solder Tails,Over Nickel
- (6) H:RoHS Compliant



CATEGORY		APPROVED BY		UNLESS OTHERWISE SPECIFIED TOLERANCES ARE .X ±0.38 .X* ±2* .XX ±0.25 .XX* ±1* .XXX ±0.13 .XXX* ±0.5*
PART No.		MEI		
DRAWING No.		CHECKED BY		
SCALE		HZF		
NONE		DRAWING BY		UNIT mm
REV.		HAO		
BO		BO		NO.REV.

BO	NEW RELEASE	HZF	10/13/2015
NO.REV.	REVISIONS	CHK	DATE