

1742597-1 ✓ ACTIVE

FASTON | FASTON 250

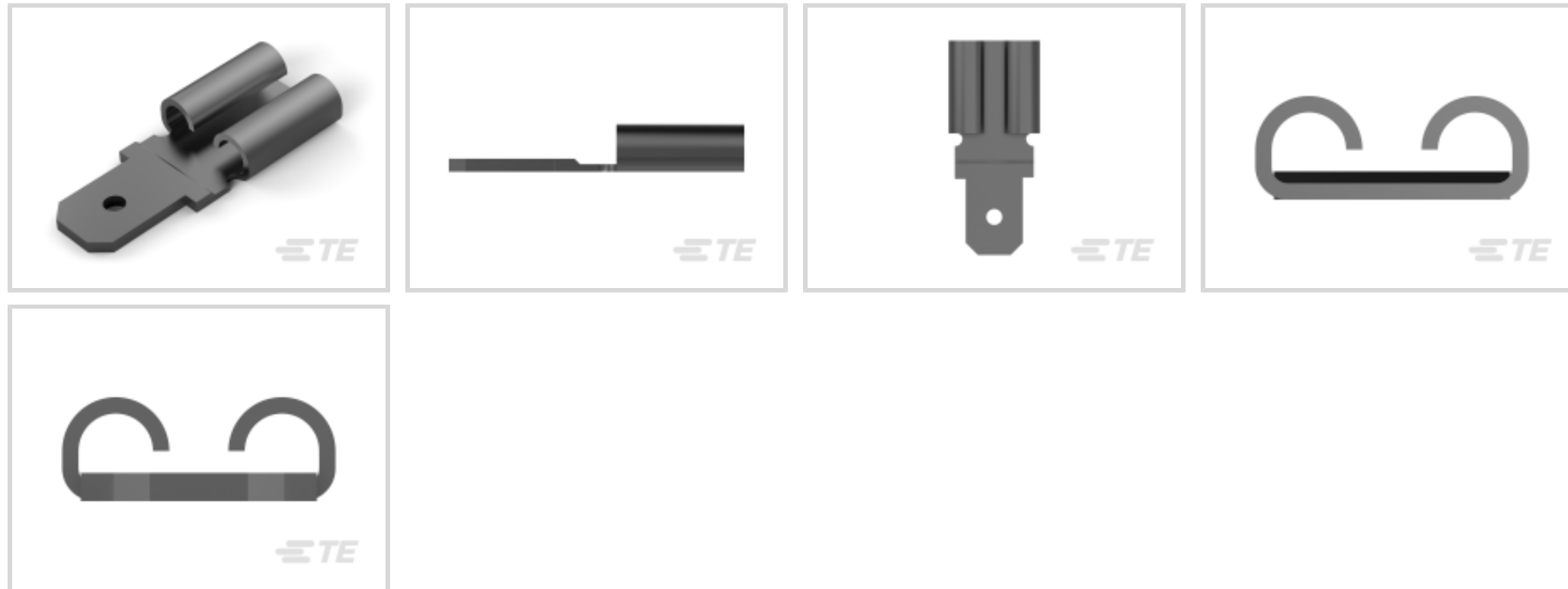
TE Internal #: 1742597-1

Quick Disconnects, Tab & Receptacle, Mating Tab Width 4.75 mm [.187 in], Straight, Brass, Unplated Plating, Loose Piece/Carton, F-Crimp, FASTON 250

[View on TE.com >](#)



Terminals & Splices > Quick Disconnects



Quick Disconnect Terminal Type: **Tab & Receptacle**

Mating Tab Width: **4.75 mm [.187 in]**

Mating Tab Thickness: **.81 mm [.032 in]**

Terminal Orientation: **Straight**

Contact Base Material: **Brass**

Features

Configuration Features

Connection Capacity	Single
Compatible With Wire & Cable Type	Discrete Wire

Contact Features

Quick Disconnect Terminal Type	Tab & Receptacle
Mating Tab Width	4.75 mm[.187 in]
Mating Tab Thickness	.81 mm[.032 in]
Terminal Orientation	Straight
Contact Base Material	Brass
Terminal Plating Material	Unplated
Crimp Type	F-Crimp
Barrel Type	Open

Termination Features

Product Terminates To	Wire & Cable
-----------------------	--------------

Dimensions



Terminal Material Thickness	.8 mm[.03 in]
-----------------------------	---------------

Usage Conditions

Insulation Option	Uninsulated
Operating Temperature Range	-40 – 110 °C[-40 – 230 °F]

Packaging Features

Packaging Quantity	1000
Packaging Method	Loose Piece/Carton

Product Compliance

[For compliance documentation, visit the product page on TE.com>](#)

EU RoHS Directive 2011/65/EU	Compliant
EU ELV Directive 2000/53/EC	Compliant
China RoHS 2 Directive MIIT Order No 32, 2016	No Restricted Materials Above Threshold
EU REACH Regulation (EC) No. 1907/2006	Current ECHA Candidate List: JUNE 2023 (235) Candidate List Declared Against: JAN 2023 (233) Does not contain REACH SVHC
Halogen Content	Low Halogen - Br, Cl, F, I < 900 ppm per homogenous material. Also BFR/CFR/PVC Free
Solder Process Capability	Not applicable for solder process capability

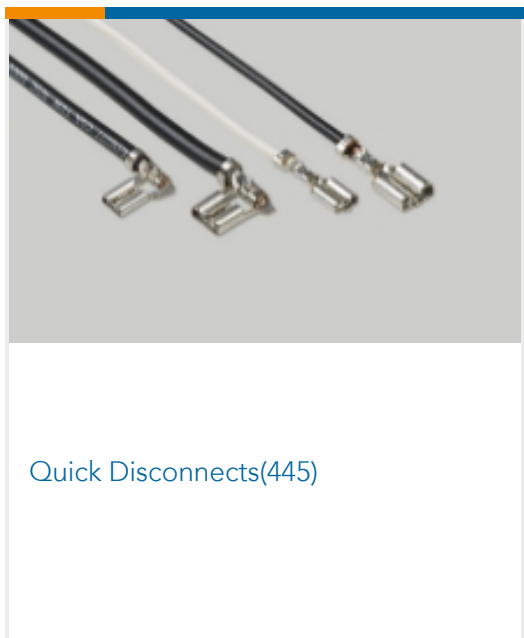
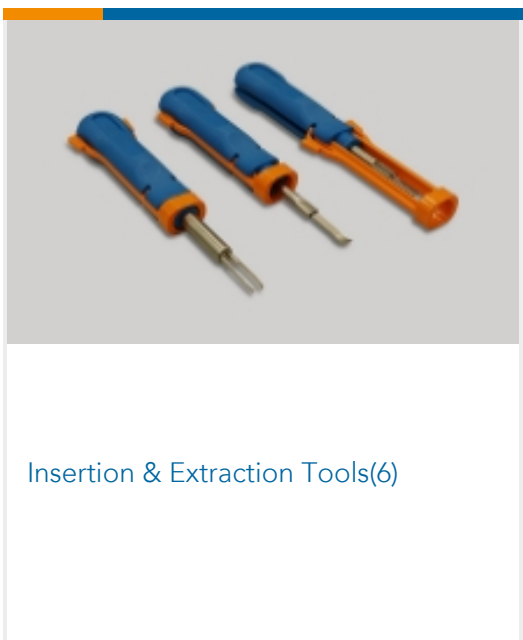
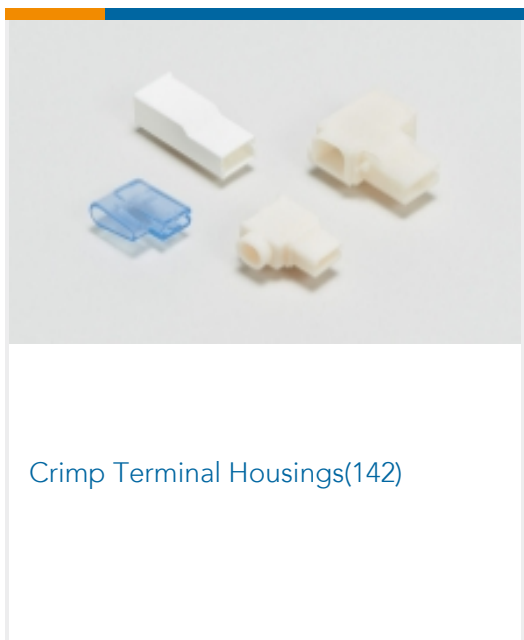
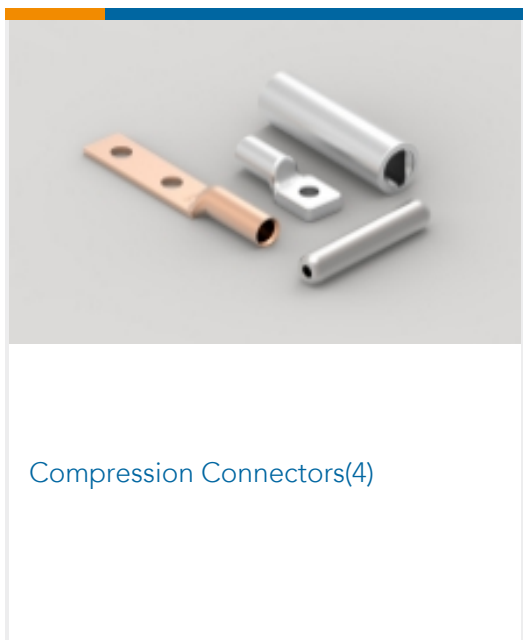
Product Compliance Disclaimer

This information is provided based on reasonable inquiry of our suppliers and represents our current actual knowledge based on the information they provided. This information is subject to change. The part numbers that TE has identified as EU RoHS compliant have a maximum concentration of 0.1% by weight in homogenous materials for lead, hexavalent chromium, mercury, PBB, PBDE, DBP, BBP, DEHP, DIBP, and 0.01% for cadmium, or qualify for an exemption to these limits as defined in the Annexes of Directive 2011/65/EU (RoHS2). Finished electrical and electronic equipment products will be CE marked as required by Directive 2011/65/EU. Components may not be CE marked. Additionally, the part numbers that TE has identified as EU ELV compliant have a maximum concentration of 0.1% by weight in homogenous materials for lead, hexavalent chromium, and mercury, and 0.01% for cadmium, or qualify for an exemption to these limits as defined in the Annexes of Directive 2000/53/EC (ELV). Regarding the REACH Regulation, the information TE provides on SVHC in articles for this part number is based on the latest European Chemicals Agency (ECHA) 'Guidance on requirements for substances in articles' posted at this URL: <https://echa.europa.eu/guidance-documents/guidance-on-reach>

Compatible Parts



Also in the Series | **FASTON 250**



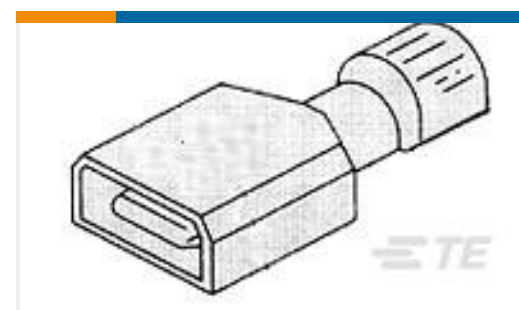
Customers Also Bought



TE Part #1-1630186-9
HSA50 4R0 5%



TE Part #2-1879452-0
TE 750W 39R 5% Bracket



TE Part #2-520103-2
ULTRA-FAST 250 ASSEMBLY TAB 22-18 AWG BR



TE Part #640383-2
02P MTA156 HDR ASSY STR SQ SN



TE Part #3-1879215-7
CPF 0402 9K76 0.1% 25PPM 1K RL



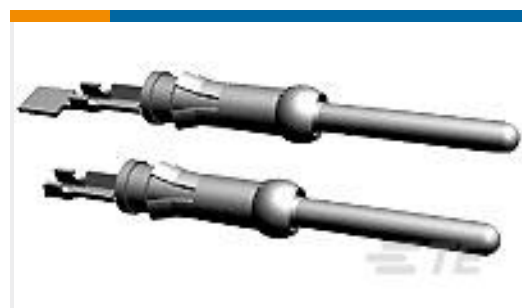
TE Part #3-1625999-2
HSC100 3R0 5%



TE Part #7-1625999-5
HSC100 8R0 5%



TE Part #1-66360-2
III+ SKT,18-14,TIN ,LP



TE Part #1-66359-4
III+ PIN,18-14,TIN,STRIP



TE Part #3-520141-2
ULTRAFast 250 ASSY REC 16-14 TPBR LP

Documents

Product Drawings

[ADAPTER,FASTON,250 REC,187 TAB,BR](#)

English

CAD Files

Customer View Model

[ENG_CVM_CVM_1742597-1_B.2d_dxf.zip](#)

English

3D PDF

3D

Customer View Model

[ENG_CVM_CVM_1742597-1_B.3d_igs.zip](#)

English

Customer View Model

[ENG_CVM_CVM_1742597-1_B.3d_stp.zip](#)

English

By downloading the CAD file I accept and agree to the [Terms and Conditions](#) of use.

Datasheets & Catalog Pages



[FASTON Tabs](#)

English

[Agency Approvals](#)

[CSA Certificate](#)

English

[CSA Certificate](#)

English