

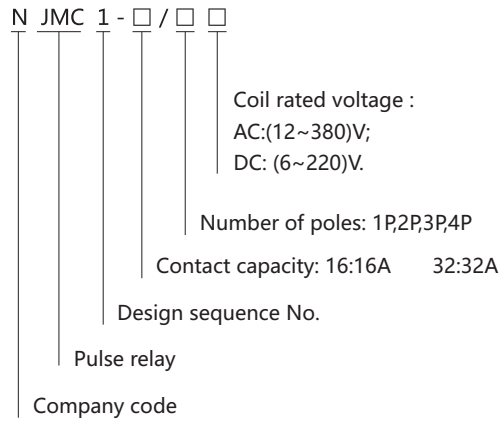


NJMC1 Pulse Relay

1. General

Contact switching current of up to 16A and 32A; a complete range of AC/DC specifications; NJMC1 pulse relay is a mechanical bistable relay that changes the contact state by inputting pulse signals.

2. Type designation



3. Normal operating conditions and mounting conditions

Temperature range	-25°C~+55°C
Pollution degree	1
Mounting position	Any position
Environmental protection category	Dustproof type
Overvoltage category	II

4. Technical data

4.1 Contact data

Contact form	1P, 2P, 3P, 4P	
Contact material	Silver alloy	
Contact load (resistive)	NJMC1-16:16A	NJMC1-32:32A
	250VC/28VDC	250VC/28VDC
Max. switching voltage	250VAC/125VDC	
Max. switching current	NJMC1-16:16A	NJMC1-32:32A
Max. switching power	NJMC1-16:4000VA 448W	NJMC1-32:8000VA 896W
Electrical life (times)	1×10 ⁵	
Mechanical life (times)	1×10 ⁶	



4.3 Characteristics data

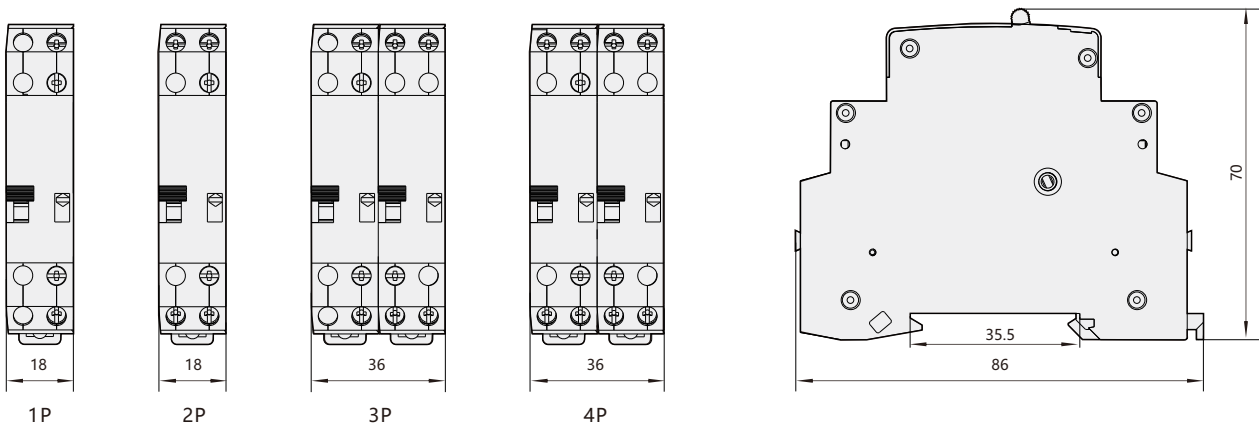
Insulation resistance	100MΩ(500VDC)	
Dielectric strength	Between contact & coil	1500VAC
	Between open contacts	1500VAC
Shock (resistance)	Acceleration: 100m/s ² , pulse duration: 11ms	
Vibration	1mm double amplitude, (10~55)Hz	
Mounting type	Din rail type	
Overall dimensions (mm)	86×70	

4.4 Coil data

Pulse voltage duration	≥50ms (200ms is recommended)
Voltage range	(85%~110%)Un

5. Overall and mounting dimensions (mm)

NJMC1-16/4P



NJMC1-32/2P

