

SPECIFICATION SHEET

RoHS Compliant
環境対応

Date of application

2020	05	25
(year)	(month)	(date)

Description: **EMI SUPPRESSION COIL**

CLASSIFICATION OF SPEC.PRESENTATION. (Tick the relevant box:✓)

- New application
- New part(s) is added to accepted specification
- Revision of accepted specification

Note

Please send us the specification with acceptance stamp.

ACCEPTANCE STAMP

COILS ELECTRONIC CO., LTD.

APPROVAL	CHECK	PREPARE
	/	

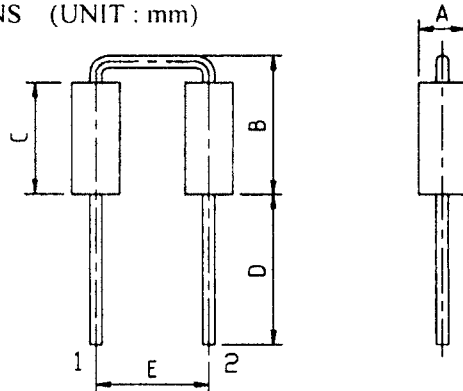
SPECIFICATION

	APPROVED BY
DATE : 2018/4/2	

1. MATERIAL . WINDING

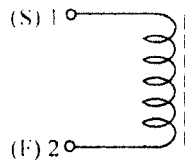
CORE	EL6E (or equivalent)	WIRE	Ø0.6mm (ALLOYED WIER)
TURNS	(1-2) 1 T		

2. DIMENSIONS (UNIT : mm)



A	Ø3.5±0.3
B	7.8 Max.
C	5±2
D	22 Max.
E	5.0±1.0

3. CONNECTION



4. CHARACTERISTICS

ITEM	SPEC. (1-2)	MEASUREMENT CONDITION	MEASUREMENT INSTRUMENT
IMPEDANCE	85Ω Min.	100MHz	HP-4291B
Rdc	0.01Ω Max.	at 25℃	HP-34420A
Rated Current	△ 6A MAX	△ T=40℃	HP-E3632A HP-34420A
Operating Temperature	△ -40/85℃		

5. RoHS COMPLIANCE REMARKS:

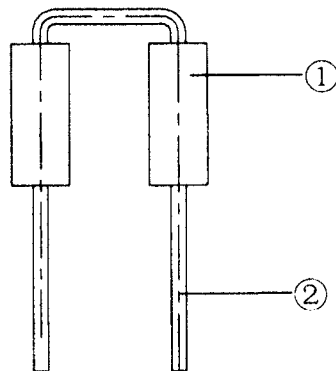
* LEAD WILL BE PRESENT IN THE FERRITE CORE OF THE FRIT MATRIX IN THE COMPONENT. THIS USE. IS EXEMPT FROM RoHS LEGISLATION PER THE ANNEX (ITEM 7), WHICH REFERS TO "LEAD IN ELECTRONIC CERAMIC PART".

APPROVAL	CHECK	DESIGN	REVISION
			△ 2020-5-25:ADD Rated Current& Operating Temperature

SPECIFICATION

DATE : 2018/4/2

6. CONSTRUCTION



7. MATERIAL LIST

No	PARTS	MATERIAL	MANUFACTURER	COUNTRY OF ORIGIN	UL No	UL FLAME CLASS	TEMP CLASS
1	CORE	FERRITE CORE EL6E OR EQUIVALENT	ZHONGSHAN TONICH FERRITE PRODUCTS CO., LTD	CHINA	NA	NA	NA
2	WIRE	TINNED COPPER WIRE OR EQUIVALENT	WELL FORE SPECIAL WIRE CORPORATION	CHINA	NA	NA	NA
	ADHESIVE	EPOXY (6068) OR EQUIVALENT	GUANG ZHOU WELLS CHEMICAL CO., LTD	CHINA	NA	NA	NA

* NA: NOT APPLICABLE.

APPROVAL	CHECK	DESIGN	REVISION