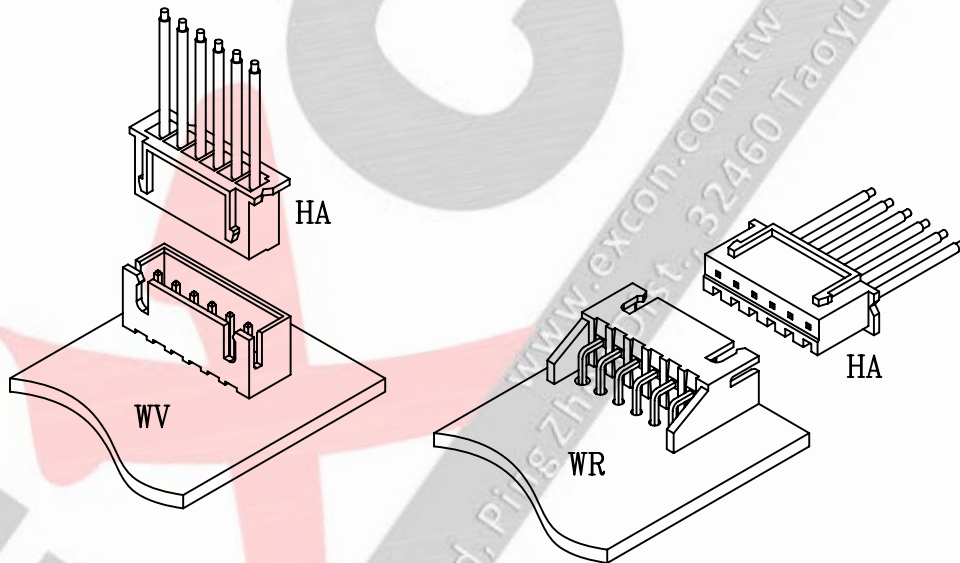


■ Specifications

1. Current rating: 3A AC/DC (AWG #22)
2. Voltage rating: 250V AC/DC
3. Withstand voltage: 1000V AC/minute
4. Insulation resistance: 1000M Ω min
5. Contact resistance: 10m Ω max
6. Temperature range: -25°C to +105°C
7. Applicable PC board thickness: 0.8~1.6mm(.031"to .063")
8. Applicable wires: AWG#30-#22
Insulation O.D.: 0.9-1.9mm
9. Circuits: 2~20 circuits available



Part Code Information:

2501-WW XX YYY

① ② ③ ④

① Series Name

② Circuits Number

02~20

00 For Terminal

③ Product Type

HA=Housing

WV=Wafer (Vertical type)

WR=Wafer (Right angle type)

TC=Terminal

④ Material/Finishing/Color

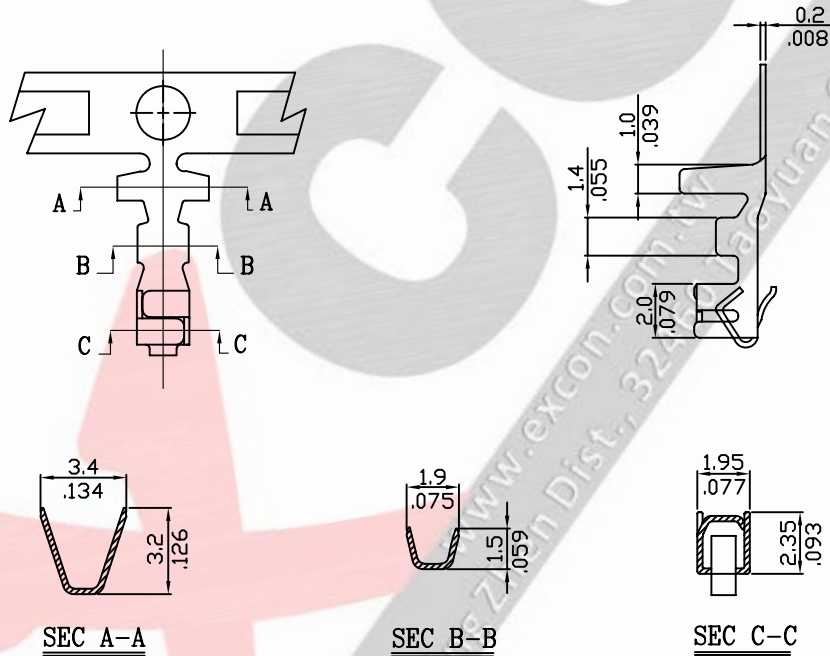
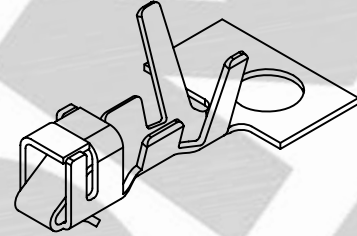
351=Phosphor,Tin Pre-Plated

051=Brass,Tin Pre-Plated

001=NY 66 94V-0,Natural Color

Crimp Terminal

1. Part No.: 250100TC351,250100TC051
2. Part Name: 2501 Terminal
3. Material: Phospor or Brass bronze
4. Finishing: Tin Pre-plated



Ordering Information and Dimensions:

Part No.	Wire Range	Insulation O.D.	Material	Finishing	Q'ty/reel
250100TC351	AWG#28~#22	1.2-1.9mm	Phosphor	Tin pre-plated	7,000pcs
250100TC051			Brass		

Part Code Information:

2501-WW XX YYY

① ② ③ ④

① Series Name

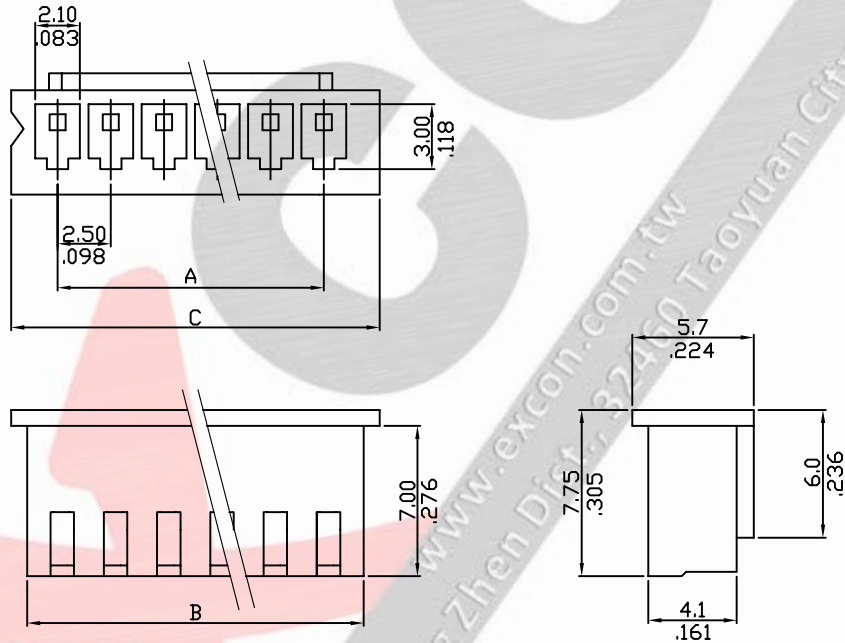
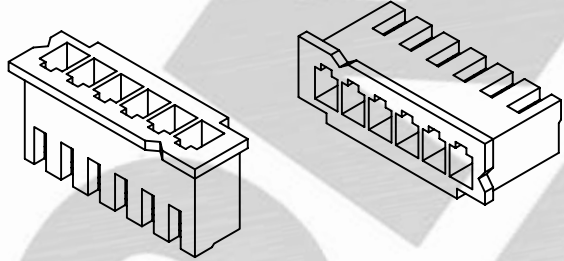
② Circuits Number
00 For Terminal

③ Product Type
TC=Terminal

④ Material/Finishing/Color
351=Phosphor,Tin Pre-Plated
051=Brass,Tin Pre-Plated

Housing

1. Part No.: 2501xxHA001
2. Part Name: 2501 Housing
3. Material: Nylon 66 UL 94V0
4. Color: Natural



Ordering Information and Dimensions:

Part No.	Circuits	Dim A	Dim B	Dim C	Part No.	Circuits	Dim A	Dim B	Dim C
250102HA001	2	2.5 (.098)	5.7 (.224)	7.3 (.287)	250112HA001	12	27.5 (1.083)	30.7 (1.209)	32.3 (1.272)
250103HA001	3	5.0 (.197)	8.2 (.323)	9.8 (.386)	250113HA001	13	30.0 (1.181)	33.2 (1.307)	34.8 (1.370)
250104HA001	4	7.5 (.295)	10.7 (.421)	12.3 (.484)	250114HA001	14	32.5 (1.280)	35.7 (1.406)	37.3 (1.469)
250105HA001	5	10.0 (.394)	13.2 (.520)	14.8 (.583)	250115HA001	15	35.0 (1.378)	38.2 (1.504)	39.8 (1.567)
250106HA001	6	12.5 (.492)	15.7 (.618)	17.3 (.681)	250116HA001	16	37.5 (1.476)	40.7 (1.602)	42.3 (1.665)
250107HA001	7	15.0 (.591)	18.2 (.717)	19.8 (.780)	250117HA001	17	40.0 (1.575)	43.2 (1.701)	44.8 (1.764)
250108HA001	8	17.5 (.689)	20.7 (.815)	22.3 (.878)	250118HA001	18	42.5 (1.673)	45.7 (1.799)	47.3 (1.862)
250109HA001	9	20.0 (.787)	23.2 (.913)	24.8 (.976)	250119HA001	19	45.0 (1.772)	48.2 (1.898)	49.8 (1.961)
250110HA001	10	22.5 (.886)	25.7 (1.012)	27.3 (1.075)	250120HA001	20	47.5 (1.870)	50.7 (1.996)	42.3 (1.665)
250111HA001	11	25.0 (.984)	28.2 (1.110)	29.8 (1.173)					

Part Code Information:

2501-WW XX YYY

① ② ③ ④

① Series Name

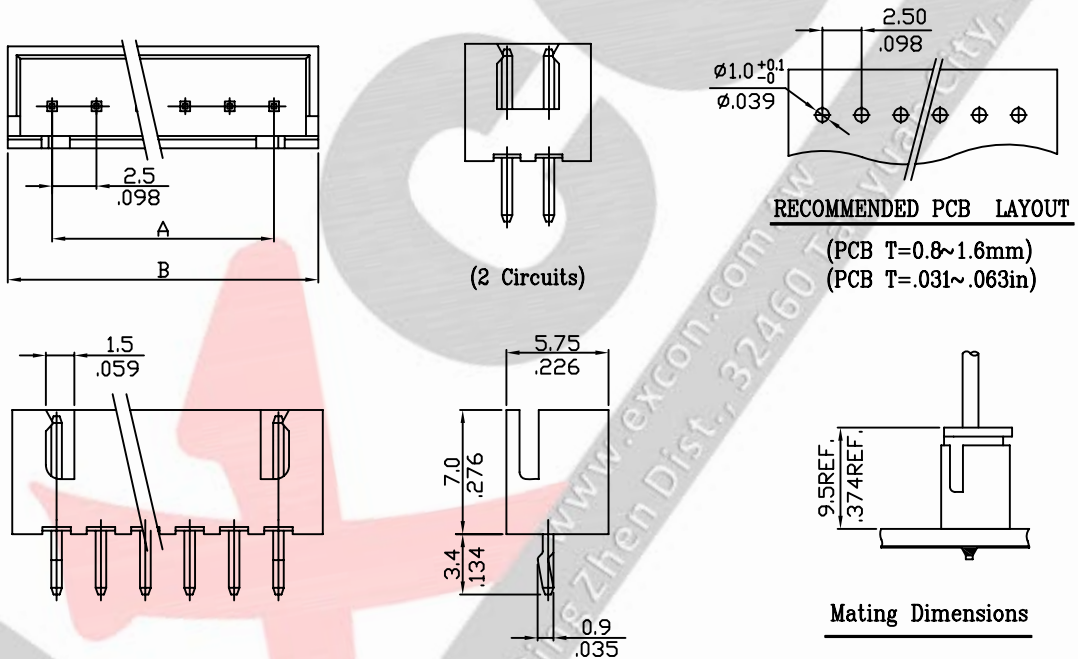
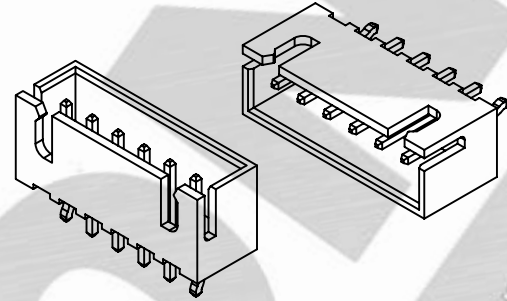
② Circuits Number
02~20

③ Product Type
HA=Housing

④ Material/Finishing/Color
001=NY 66 94V-0,Natural Color

Wafer (Vertical type)

1. Part No.: 2501xxWV001
2. Part Name: 2501 Wafer
3. Material: Nylon 66 UL 94V0
Pin: Brass bronze, Tin plated
5. Color: Natural



Ordering Information and Dimensions:

Part No.	Circuits	Dim A	Dim B	Part No.	Circuits	Dim A	Dim B	Part No.	Circuits	Dim A	Dim B
250102WV001	2	2.5 (.098)	7.5 (.295)	250109WV001	9	20.0 (.787)	25.0 (.984)	250116WV001	16	37.5 (1.476)	42.5 (1.673)
250103WV001	3	5.0 (.197)	10.0 (.394)	250110WV001	10	22.5 (.886)	27.5 (1.083)	250117WV001	17	40.0 (1.575)	45.0 (1.772)
250104WV001	4	7.5 (.295)	12.5 (.492)	250111WV001	11	25.0 (.984)	30.0 (1.181)	250118WV001	18	42.5 (1.673)	47.5 (1.870)
250105WV001	5	10.0 (.394)	15.0 (.591)	250112WV001	12	27.5 (1.083)	32.5 (1.280)	250119WV001	19	45.0 (1.772)	50.0 (1.969)
250106WV001	6	12.5 (.492)	17.5 (.689)	250113WV001	13	30.0 (1.181)	35.0 (1.378)	250120WV001	20	47.5 (1.870)	52.5 (2.067)
250107WV001	7	15.0 (.591)	20.0 (.787)	250114WV001	14	32.5 (1.280)	37.5 (1.476)				
250108WV001	8	17.5 (.689)	22.5 (.886)	250115WV001	15	35.0 (1.378)	40.0 (1.575)				

Part Code Information:

2501-WW XX YY

- ① ② ③ ④

- ③ Product Type
WV=Wafer (Vertical type)

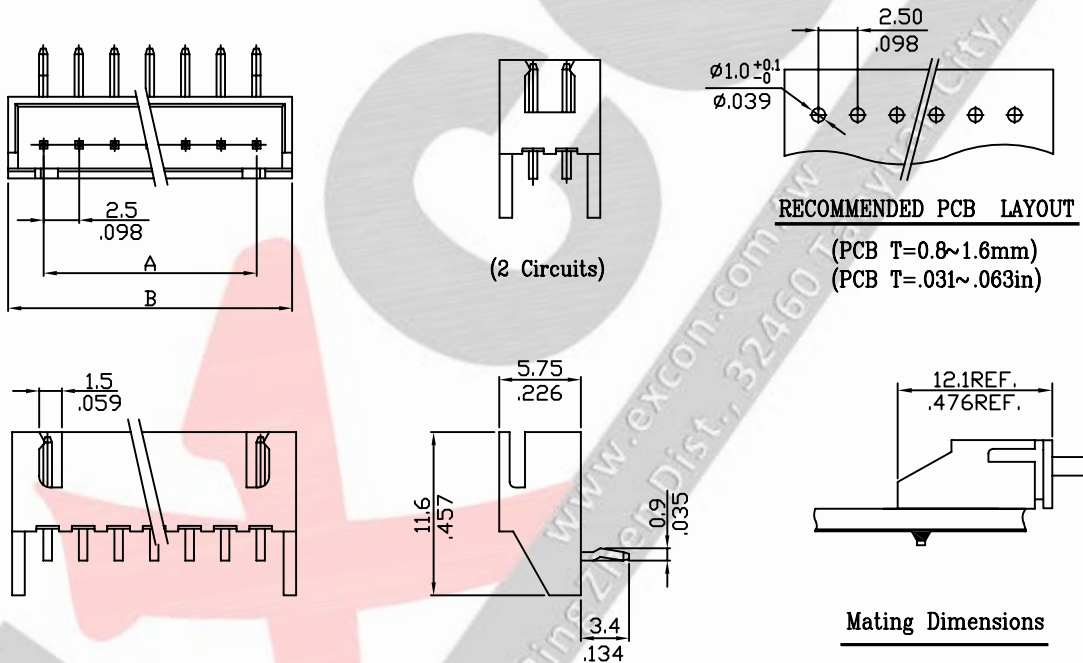
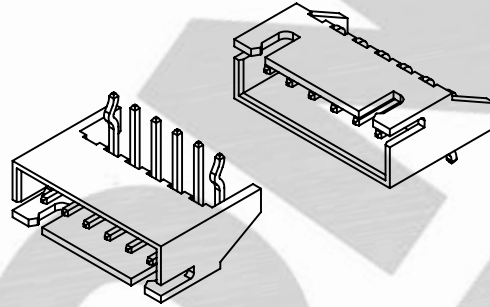
- ④ Material/Finishing/Color
001=NY 66 94V-0,Natural Color

① Series Name

② Circuits Number
02~20

Wafer (Right angle type)

1. Part No.: 2501xxWR001
2. Part Name: 2501 Wafer
3. Material: Nylon 66 UL 94V0
Pin: Brass bronze, Tin plated
4. Color: Natural



Ordering Information and Dimensions:

Part No.	Circuits	Dim A	Dim B	Part No.	Circuits	Dim A	Dim B	Part No.	Circuits	Dim A	Dim B
250102WR001	2	2.5 (.098)	7.5 (.295)	250109WR001	9	20.0 (.787)	25.0 (.984)	250116WR001	16	37.5 (1.476)	42.5 (1.673)
250103WR001	3	5.0 (.197)	10.0 (.394)	250110WR001	10	22.5 (.886)	27.5 (1.083)	250117WR001	17	40.0 (1.575)	45.0 (1.772)
250104WR001	4	7.5 (.295)	12.5 (.492)	250111WR001	11	25.0 (.984)	30.0 (1.181)	250118WR001	18	42.5 (1.673)	47.5 (1.870)
250105WR001	5	10.0 (.394)	15.0 (.591)	250112WR001	12	27.5 (1.083)	32.5 (1.280)	250119WR001	19	45.0 (1.772)	50.0 (1.969)
250106WR001	6	12.5 (.492)	17.5 (.689)	250113WR001	13	30.0 (1.181)	35.0 (1.378)	250120WR001	20	47.5 (1.870)	52.5 (2.067)
250107WR001	7	15.0 (.591)	20.0 (.787)	250114WR001	14	32.5 (1.280)	37.5 (1.476)				
250108WR001	8	17.5 (.689)	22.5 (.886)	250115WR001	15	35.0 (1.378)	40.0 (1.575)				

Part Code Information:

2501-WW XX YY

- ① ② ③ ④

③ Product Type
WR=Wafer (Right angle type)

④ Material/Finishing/Color
001=NY 66 94V-0,Natural Color

- ① Series Name
② Circuits Number
02~20