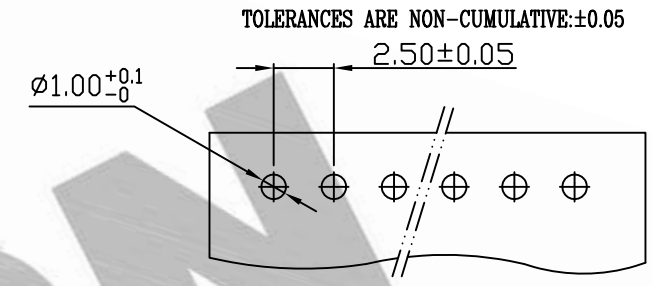
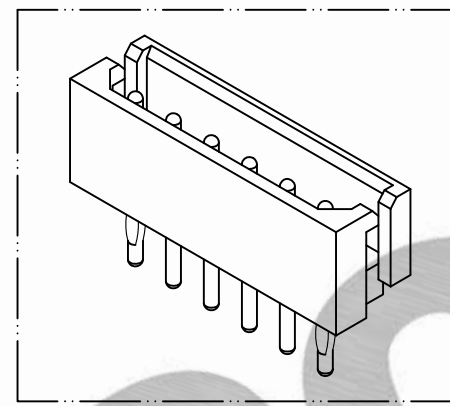
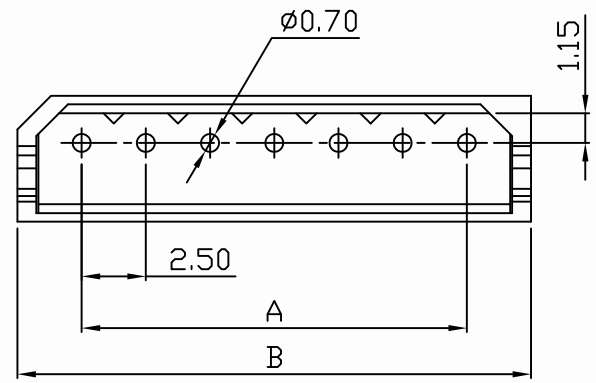
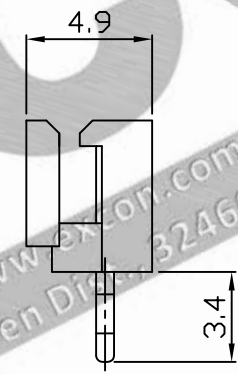
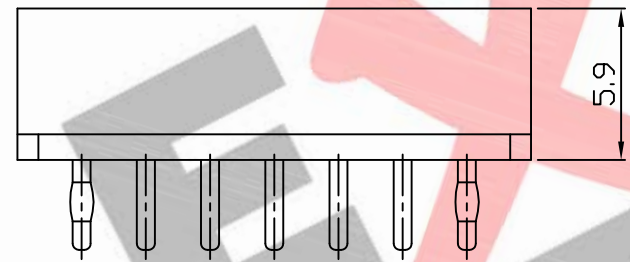


PART NO. 2503xxWV054
 DWG NO. C2503WV



RECOMMENDED PCB LAYOUT
 (PCB THK=1.0~1.6)



Dimensional & Ordering Information:

Part No.	Circuits	Dim A	Dim B
250302WV054	2	2.50	7.50
250303WV054	3	5.00	10.00
250304WV054	4	7.50	12.50
250305WV054	5	10.00	15.00
250306WV054	6	12.50	17.50
250307WV054	7	15.00	20.00
250308WV054	8	17.50	22.50
250309WV054	90	20.00	25.00
250311WV054	11	25.00	30.00
250312WV054	12	27.50	32.50
250313WV054	13	30.00	35.00
250314WV054	14	32.50	37.50
250315WV054	15	35.00	40.00
250316WV054	16	37.50	42.50
250317WV054	17	40.00	45.00
250318WV054	18	42.50	47.50
250318WV054	20	47.50	52.50

NOTE:

1. Wafer Material: Nylon 66
Pin/Pos Material: brass bronze.
2. Plated: Tin-plated 50u"min.
3. Insulation resistance: 1000MΩ/min.
4. Withstand voltage: 1000V AC/minute.
5. Current retang: 3A AC/DC.
6. Voltage rating: 250V AC/DC
7. Color: Beige

UNLESS OTHERWISE SPECIFIED TOLERANCES
 3 PLACE ±0.5 ±0.10
 2 PLACE ±1.5 ±0.25
 1 PLACE ±2.0 ±0.50
 ANGLE DIM



REV.	REVISIONI			DIS	DATE	DWG NO: C2503WV	PART.NO 2503xxWV054
SCALE	REV.	PAGE:	UNIT	m m			
5/1	A	1	THIRD ANGLE PROJECTION				