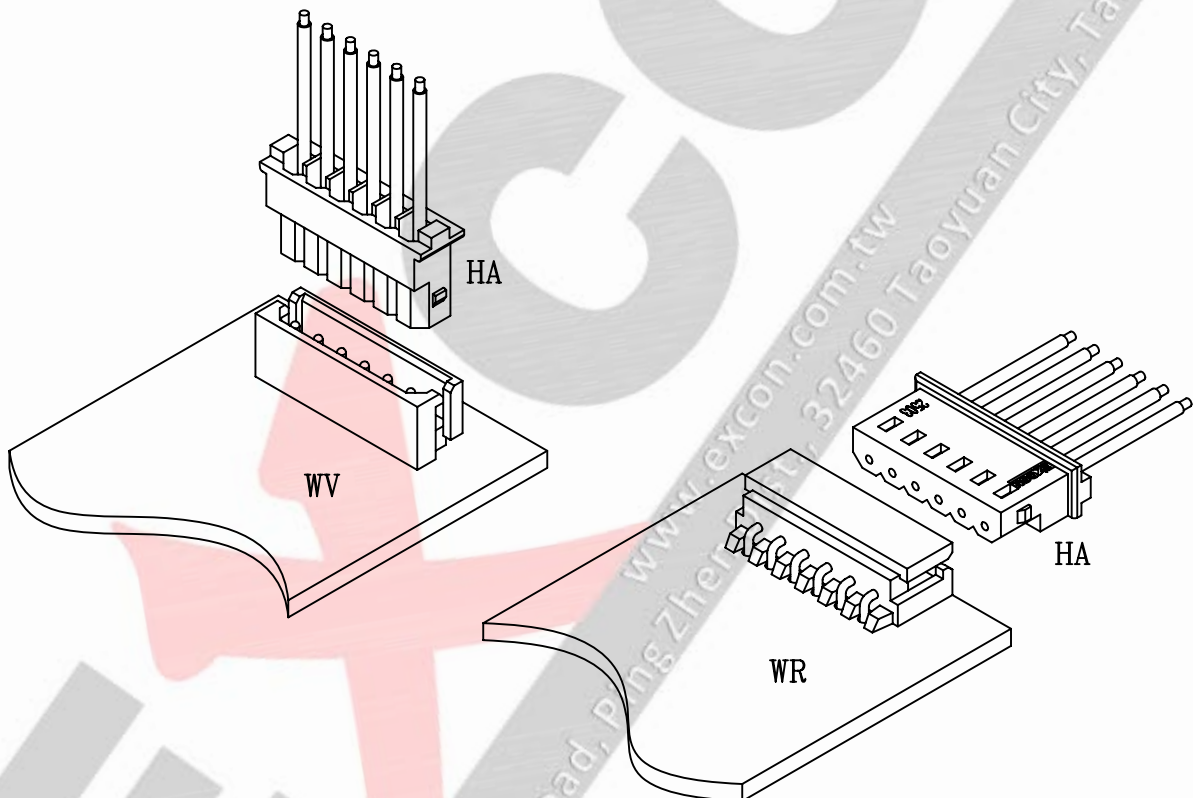


■ Specifications

1. Current rating: 3A AC/DC
2. Voltage rating: 250V AC/DC
3. Withstand voltage: 800V AC/minute
4. Insulation resistance: 1000M Ω min
5. Contact resistance: 10m Ω max
6. Temperature range: -40°C to +105°C
7. Applicable PC board thickness: 1.0~1.6mm(.039" to .063")
8. Applicable wires: AWG#28-#22
Insulation O.D.: 1.2-1.9mm
9. Circuits: 2~18,20 circuits available



Part Code Information:

2503-WW XX YY

① ② ③ ④

① Series Name

② Circuits Number

02~18,20

00 For Terminal

③ Product Type

HA=Housing

WV=Wafer (Vertical type)

WR=Wafer (Right angle type)

TC=Terminal

④ Material/Finishing/Color

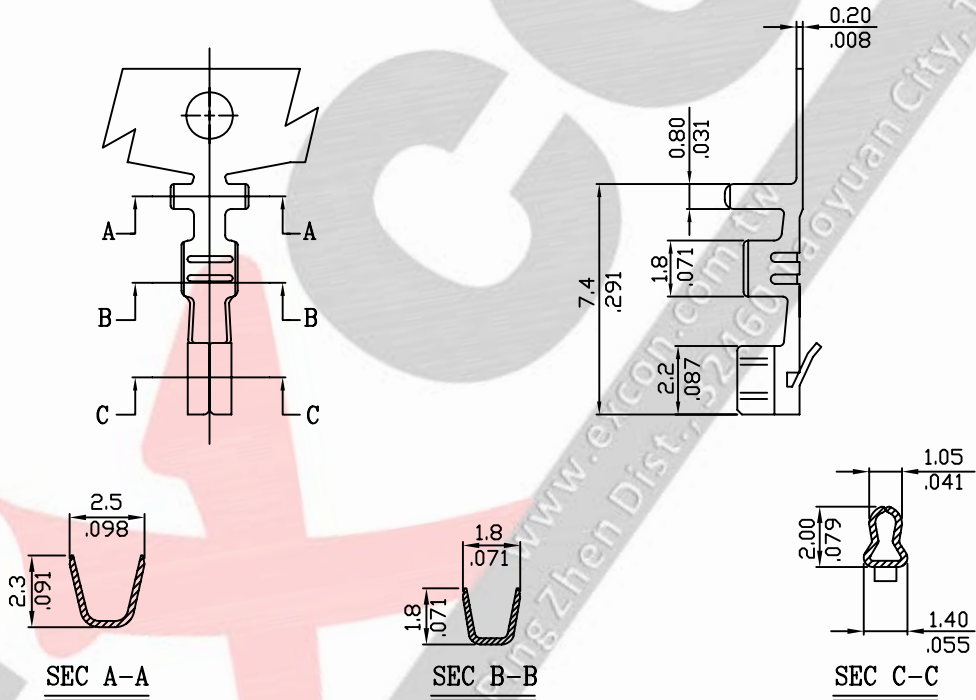
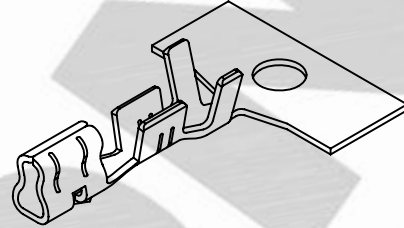
351=Phosphor,Tin Pre-Plated

004=NY66 94V0, Color, Beige

054=NY66 94V2, Color, Beige

Crimp Terminal

1. Part No.: 250300TC351
2. Part Name: 2503 Terminal
3. Material: phosphor bronze
4. Finishing: Tin pre-plated



Ordering Information and Dimensions:

Part No.	Wire Range	Insulation O.D.	Material	Finishing	Q'ty/reel
250300TC351	AWG#28~#22	1.2-1.9mm	Phosphor	Tin pre-plated	10,000pcs

Part Code Information:

2503-WW XX YY

① ② ③ ④

① Series Name

② Circuits Number

00 For Terminal

③ Product Type

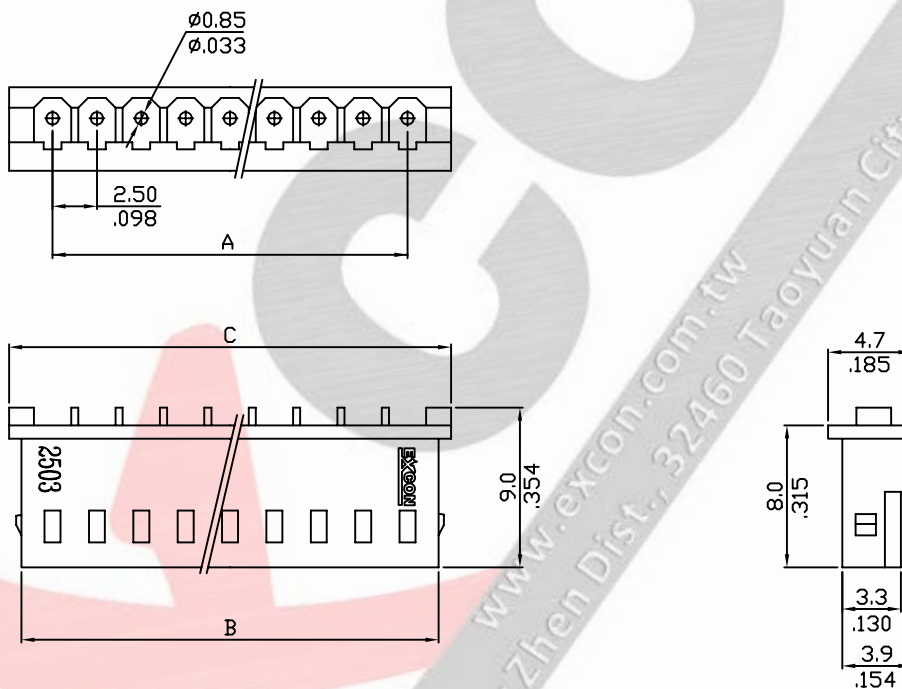
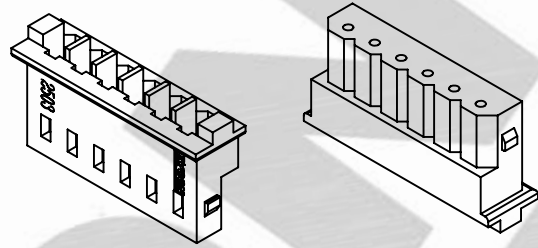
TC=Terminal

④ Material/Finishing/Color

351=Phosphor,Tin Pre-Plated

Housing

1. Part No.: 2503xxHA054,2503xxHA004
2. Part Name: 2503 Housing
3. Material: Nylon 66 UL 94V2/V0
4. Color: Beige



Ordering Information and Dimensions:

Part No.	Circuits	Dim A	Dim B	Dim C	Part No.	Circuits	Dim A	Dim B	Dim C
250302HA054	2	2.5(.098)	5.8(.228)	7.4(.291)	250311HA054	11	25.0(.984)	28.3(1.114)	29.9(1.177)
250303HA054	3	5.0(.197)	8.3(.327)	9.9(.390)	250312HA054	12	27.5(1.083)	30.8(1.213)	32.4(1.276)
250304HA054	4	7.5(.295)	10.8(.425)	12.4(.488)	250313HA054	13	30.0(1.181)	33.3(1.311)	34.9(1.374)
250305HA054	5	10.0(.394)	13.3(.524)	14.9(.587)	250314HA054	14	32.5(1.280)	35.8(1.409)	37.4(1.472)
250306HA054	6	12.5(.492)	15.8(.622)	17.4(.685)	250315HA054	15	35.0(1.378)	38.3(1.508)	39.9(1.571)
250307HA054	7	15.0(.591)	18.3(.720)	19.9(.783)	250316HA054	16	37.5(1.476)	40.8(1.606)	42.4(1.669)
250308HA054	8	17.5(.689)	20.8(.819)	22.4(.882)	250317HA054	17	40.0(1.575)	43.3(1.705)	44.9(1.768)
250309HA054	9	20.0(.787)	23.3(.917)	24.9(.980)	250318HA054	18	42.5(1.673)	45.8(1.803)	47.4(1.866)
250310HA054	10	22.5(.886)	25.8(1.016)	27.4(1.079)	250320HA054	20	47.5(1.870)	50.8(2.000)	52.4(2.063)

Part Code Information:

2503-WW XX YYY

① ② ③ ④

① Series Name

② Circuits Number

02~18,20

③ Product Type

HA=Housing

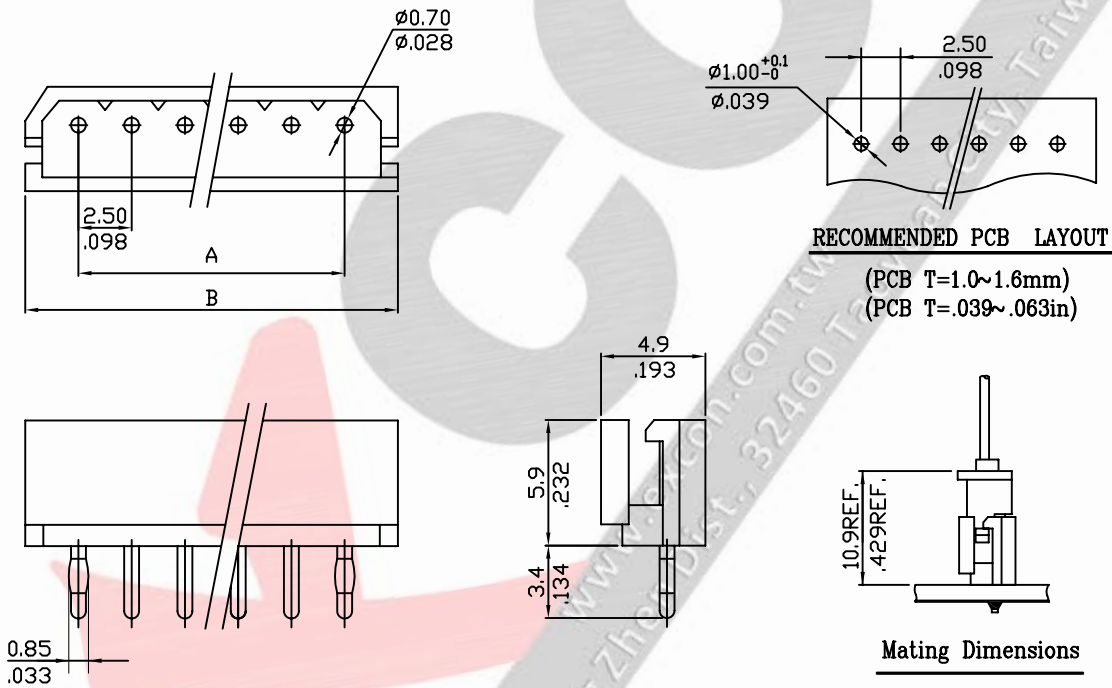
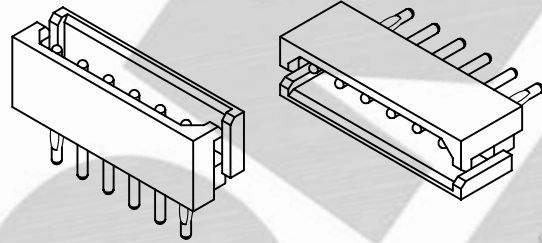
④ Material/Finishing/Color

004=NY66 94V0, Color, Beige

054=NY66 94V2, Color, Beige

Wafer (Vertical type)

1. Part No.: 2503xxWV054,2503xxWV004
2. Part Name: 2503 Wafer
3. Material: Nylon 66 UL 94V2/V0
Pin: Brass bronze, Tin plated
5. Color: Beige



Ordering Information and Dimensions:

Part No.	Circuits	Dim A	Dim B	Part No.	Circuits	Dim A	Dim B
250302WV054	2	2.5(.098)	7.5(.295)	250311WV054	11	25.0(.984)	30.0(1.181)
250303WV054	3	5.0(.197)	10.0(.394)	250312WV054	12	27.5(1.083)	32.5(1.280)
250304WV054	4	7.5(.295)	12.5(.492)	250313WV054	13	30.0(1.181)	35.0(1.378)
250305WV054	5	10.0(.394)	15.0(.591)	250314WV054	14	32.5(1.280)	37.5(1.476)
250306WV054	6	12.5(.492)	17.5(.689)	250315WV054	15	35.0(1.378)	40.0(1.575)
250307WV054	7	15.0(.591)	20.0(.787)	250316WV054	16	37.5(1.476)	42.5(1.673)
250308WV054	8	17.5(.689)	22.5(.886)	250317WV054	17	40.0(1.575)	45.0(1.772)
250309WV054	9	20.0(.787)	25.0(.984)	250318WV054	18	42.5(1.673)	47.5(1.870)
250310WV054	10	22.5(.886)	27.5(1.083)	250320WV054	20	47.5(1.870)	52.5(2.067)

Part Code Information:

2503-WW XX YY

① ② ③ ④

① Series Name

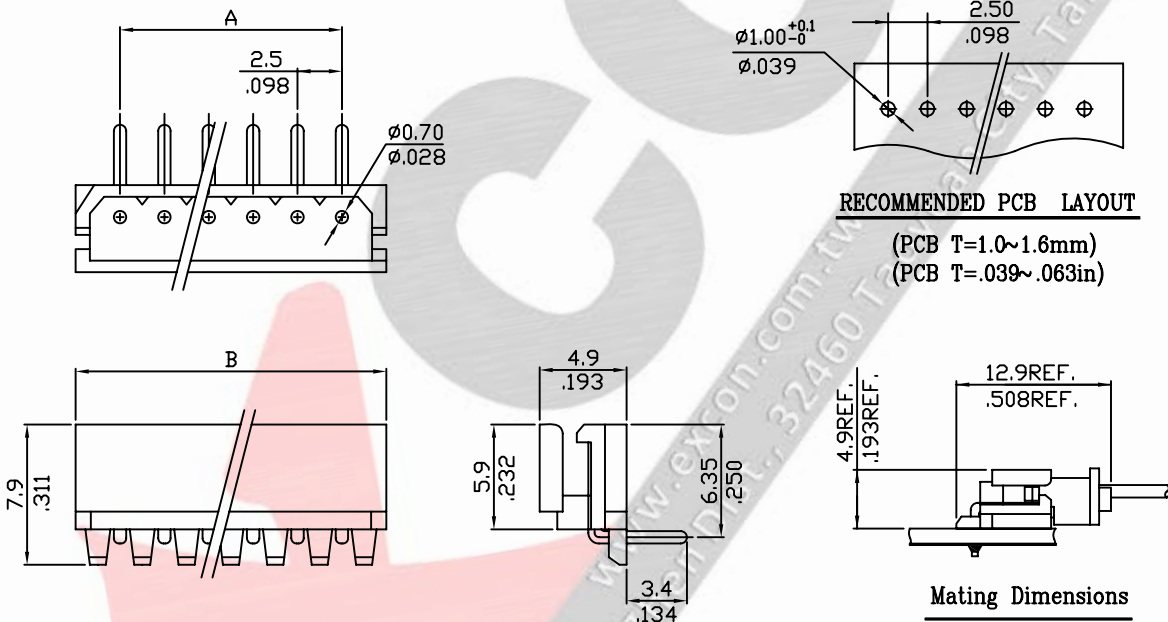
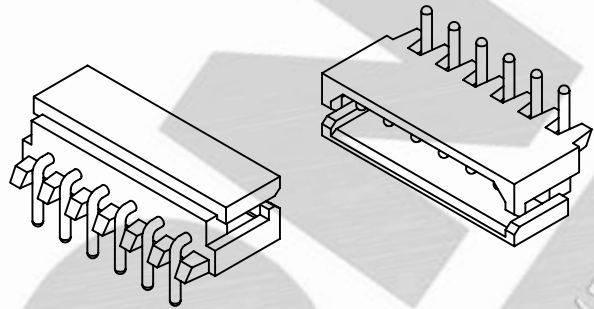
② Circuits Number
02~18,20

③ Product Type
WV=Wafer (Vertical type)

④ Material/Finishing/Color
004=NY66 94V0, Color, Beige
054=NY66 94V2, Color, Beige

Wafer (Right angle type)

1. Part No.: 2503xxWR054,2503xxWR004
2. Part Name: 2503 Wafer
3. Material: Nylon 66 UL 94V2/V0
Pin: Brass bronze, Tin plated
4. Color: Beige



Ordering Information and Dimensions:

Part No.	Circuits	Dim A	Dim B	Part No.	Circuits	Dim A	Dim B
250302WR054	2	2.5(.098)	7.5(.295)	250311WR054	11	25.0(.984)	30.0(1.181)
250303WR054	3	5.0(.197)	10.0(.394)	250312WR054	12	27.5(1.083)	32.5(1.280)
250304WR054	4	7.5(.295)	12.5(.492)	250313WR054	13	30.0(1.181)	35.0(1.378)
250305WR054	5	10.0(.394)	15.0(.591)	250314WR054	14	32.5(1.280)	37.5(1.476)
250306WR054	6	12.5(.492)	17.5(.689)	250315WR054	15	35.0(1.378)	40.0(1.575)
250307WR054	7	15.0(.591)	20.0(.787)	250316WR054	16	37.5(1.476)	42.5(1.673)
250308WR054	8	17.5(.689)	22.5(.886)	250317WR054	17	40.0(1.575)	45.0(1.772)
250309WR054	9	20.0(.787)	25.0(.984)	250318WR054	18	42.5(1.673)	47.5(1.870)
250310WR054	10	22.5(.886)	27.5(1.083)	250320WR054	20	47.5(1.870)	52.5(2.067)

Part Code Information:

2503-WW XX YY

① ② ③ ④

① Series Name

② Circuits Number
02~18,20

③ Product Type

WR=Wafer (Right angle type)

④ Material/Finishing/Color

004=NY66 94V0, Color, Beige
054=NY66 94V2, Color, Beige