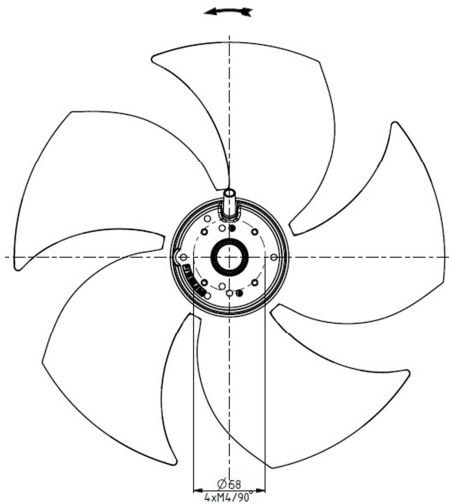


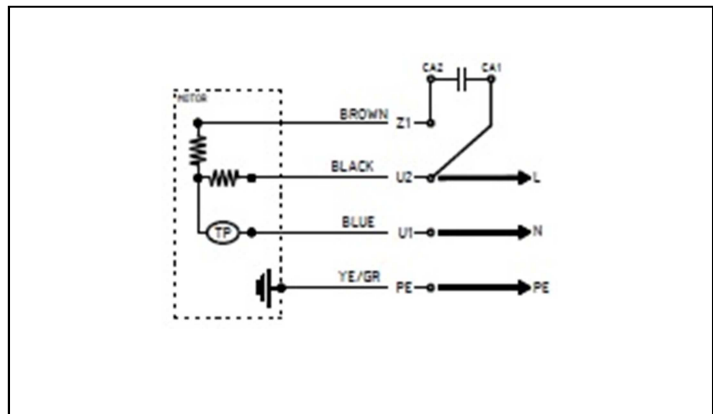
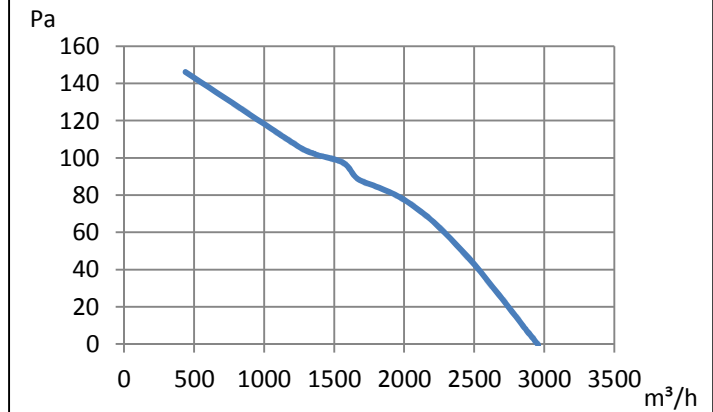
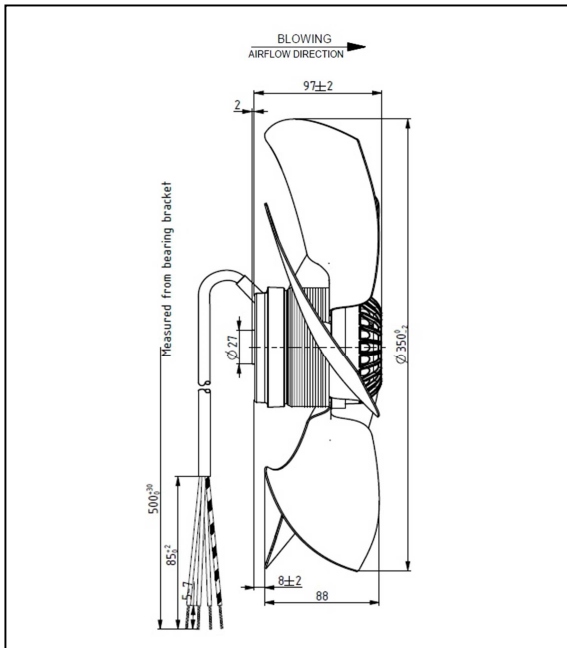
DRAFT

VRE35A23HA0

Description: External rotor axial fan



Impeller material	Black metal
Protection degree	IP44, according to EN60529 standard
Fixing system	By n°4 M4 screws
Motor protection	Thermally protected
Erp2013	compliant
Erp2015	compliant
Insulation class	F
Electrical connection	4 leads, 500 mm long
Capacitor	4uF / 450V
Approvals	CE



Model	Bearing	Voltage (V)	Freq. (Hz)	Rated Current (A)	Rated Power (W)	Max Air Flow (m3/h)	Static Pressure (Pa)	Noise [db(A)]	RPM (rpm)	Approvals
VRE35A23HA0	Ball	230	50	0.8	182	2957	146		1372	CE

All specifications, data and drawings are subject to changes without notice and are approximate. Please refer to our terms of sales including our warranty and limited liabilities clauses.