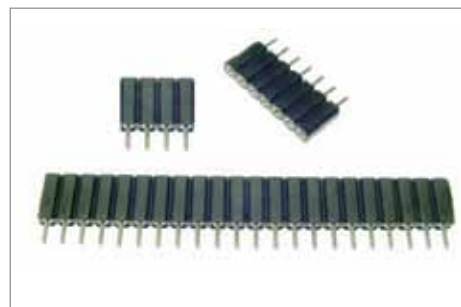


PCB TURNED CONNECTOR

PCB FEMALE TURNED CONNECTORS 2.54 mm

KONCLIP



Features	Accept square pins 0.635 mm and round pins $\varnothing 0.70 \pm 0.80$ mm
Material	Insulator: Black thermoplastic polyester UL 94V0 Receptacle contact: Sleeve: Screw machined brass Clip: Stamped beryllium-copper Pin contact: Screw machined brass or Phosphor bronze
Electrical	Current rating: 3A maxi Dielectric withstanding: 1000 V AC Insulation resistance: 1000 M Ω mini
Mechanical	Temperature rating: -40 °C to 125 °C

Product Code

A	B	C	D	E
877	9501	1	xx	4x0

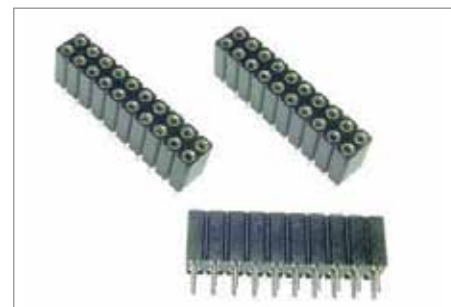
D Number of contacts from 01 to 50

E Plating
1 sleeve 5 μ m Sn - clip Au flash
9 sleeve 5 μ m Sn - clip 0.75 μ m Au

PCB TURNED CONNECTOR

PCB FEMALE TURNED CONNECTORS 2.54 mm

KONCLIP



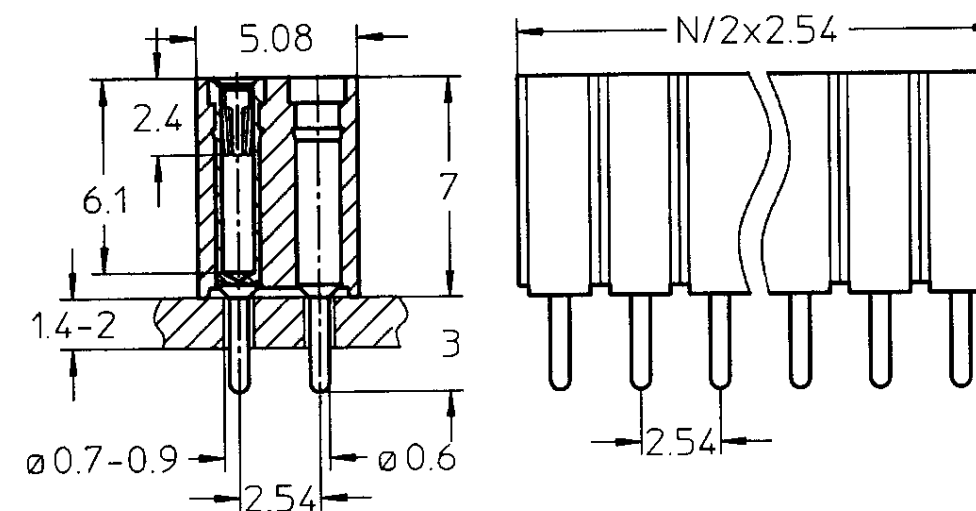
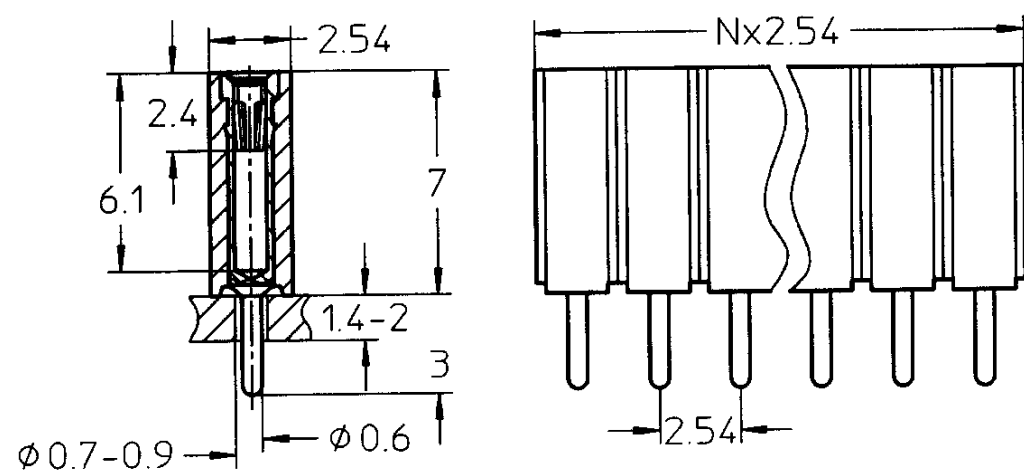
Features	Accept square pins 0.635 mm and round pins $\varnothing 0.70 \pm 0.80$ mm
Material	Insulator: Black thermoplastic polyester UL 94V0 Receptacle contact: Sleeve: Screw machined brass Clip: Stamped beryllium-copper Pin contact: Screw machined brass or Phosphor bronze
Electrical	Current rating: 3A maxi Dielectric withstanding: 1000 V AC Insulation resistance: 1000 M Ω mini
Mechanical	Temperature rating: -40 °C to 125 °C

Product Code

A	B	C	D	E
877	9502	1	xx	4x0

D Number of contacts from 04 to 100
(for 100 sign 00)

E Plating
1 sleeve 5 μ m Sn - clip Au flash
9 sleeve 5 μ m Sn - clip 0.75 μ m Au



"Due to technical progress, all design, specification and components are subject to change without notice".

"Due to technical progress, all design, specification and components are subject to change without notice".