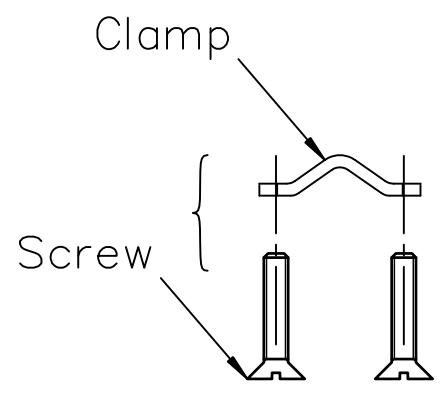
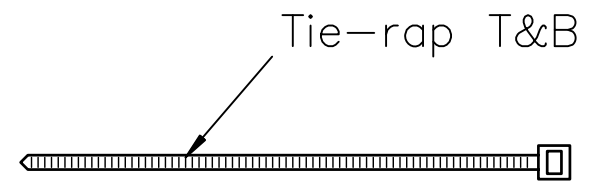


MATERIAL:
thermoplastic

TEMPERATURE RANGE:
- Climatic category -55°/ +95°

PACKAGING:
Box of 50 individual sets



Bill of material		
components	Hood kit	Kit for 2 exit use
1/2 Hood	2	0
Screw	2	2
Tapping Screw	3	0
Tie rap	1	1
Clamp	1	1

Pull Parts											
Shell size	Number of contacts	A	B	C	With clamp		Without clamp		PART NUMBER		
					D	E		D	E	Black hood	Kit for 2 exit use *
						mini	maxi				
E	09	29.75	15.50	24.25	6.00	1.90	10.10	8.00	11.50	863093C09ALF	863093CEALF
A	15	29.75	15.50	32.50	6.00	1.90	10.10	8.00	11.50	863093C15ALF	
B	25	46.50	15.50	46.00	13.50	2.60	10.10	16.00	11.50	863093C25ALF	863093CBCLF
C	37	46.50	15.50	60.50	13.50	2.60	10.10	16.00	11.50	863093C37ALF	
D	50	48.50	18.00	56.50	15.50	4.40	12.60	18.00	14.00	863093C50ALF	863093CDLF

Dimensions are in millimeters * additional accessories to be ordered separately

Copyright FCI

NOTE: RoHS INFORMATIONS

- The "LF" product meets European union Directives and other country regulations as described in GS-22-008.
- The product is not intended to be exposed to a manufacturing solder process.
- Packaging spec: see GS-14-920.

rev	ecn no	dr	date
A	LS05-0086	MPE	2005/10/14
B	LS06-0095	LGO	2006/06/22
C	LS07-0319	MPE	2007/12/18
D	LS07-0321	MPE	2007/12/19
E	I09-0117	AMR	2009/06/26
F	I09-0161	AMR	2009/08/13
G	I11-0091	AMR	2011-05-14

www.fciconnect.com		surface ISO 1302 ✓	tolerance std ISO 406 ISO 1101	projection	mm
TOLERANCES UNLESS OTHERWISE SPECIFIED					
Dr	PESSON	2005/10/14	ANGULAR	0.X	±0.1
Eng	PESSON	2005/10/14	LINEAR	0.XX	±0.1
Chr	ABHILASH	2009/06/26	0.XX ±2	0.XXX	±0.1
Appr	SUDHIR V	2009/06/26	Product family	D-SUB	Spec ref -
FCI			title UNIVERSAL PLASTIC HOOD		dwg no C01-8655-1617
			catalog no -		Rev. G
				CUSTOMER	sheet 1 of 1