


92x92x25 mm

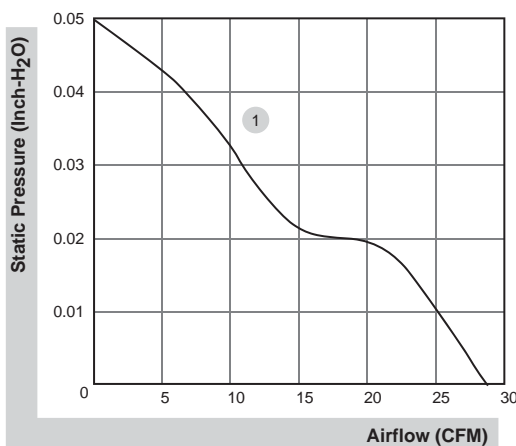
28.4 CFM



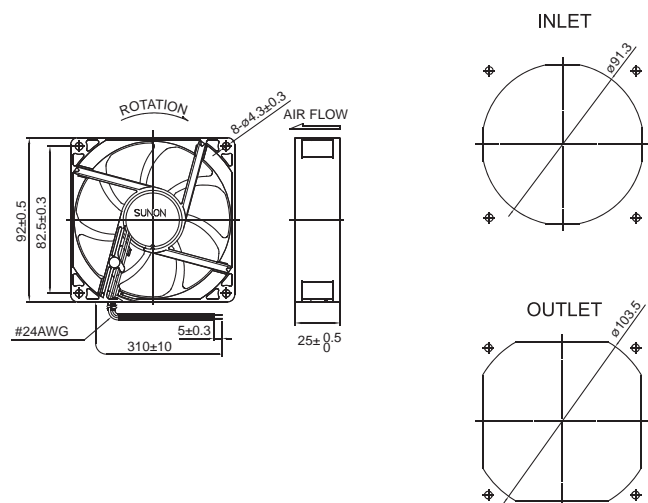
■ Specifications

|  | Bearing | Rating Voltage | Power Current | Power Consumption | Speed | Air Flow | Static Pressure         | Noise   | Weight | Curve |
|---|---------|----------------|---------------|-------------------|-------|----------|-------------------------|---------|--------|-------|
|   | ● VAPO  | (VDC)          | (mA)          | (WATTS)           | (RPM) | (CFM)    | (inch-H <sub>2</sub> O) | (dB(A)) | (g)    |       |
| HA92251V4-1000U-A99   | ●       | 12             | 45            | 0.54              | 1700  | 28.4     | 0.05                    | 17.7    | 92.0   | 1     |

■ Air Flow-Static Pressure Characteristics



■ External dimensions(mm)



\*All model could be customized. Please contact with Sunon Sales.

\*Specifications are subject to change without notice. Please Visit SUNON website at [www.sunon.com](http://www.sunon.com) for update information.