

REV.	DESCRIPTION	DRAWN	CHECKED	APPROVED
A	NEW RELEASE	YCH 02/01/07	~	LJC 02/01/07
B	整理圖面	YCH 08/15/07	~	

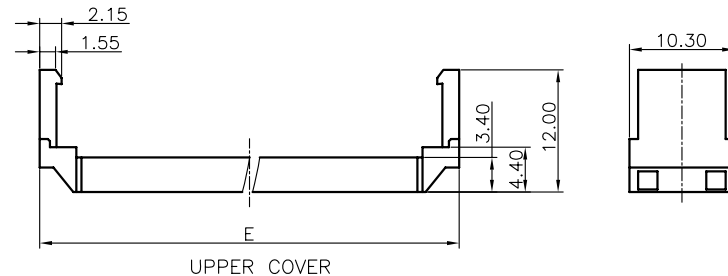
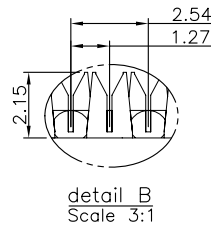
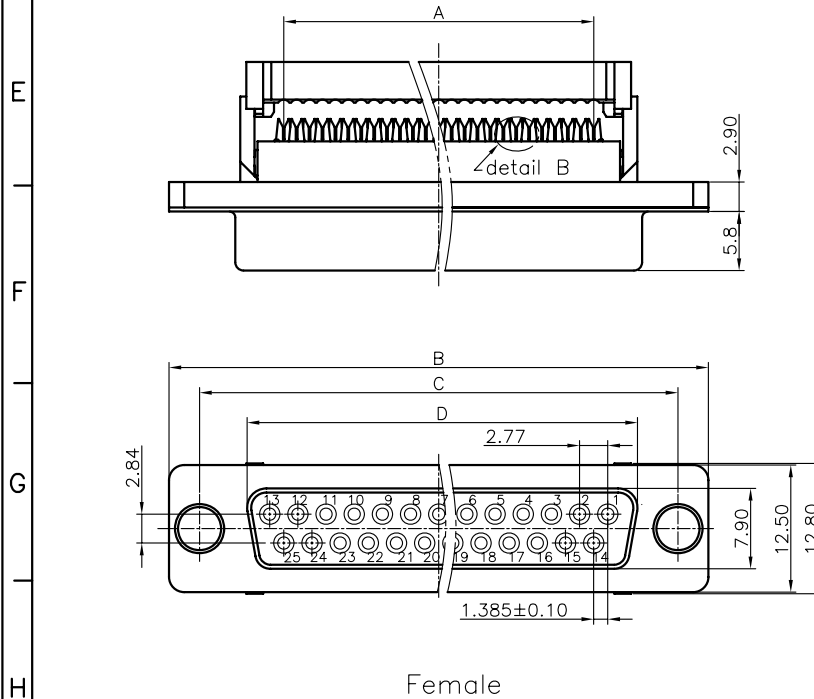
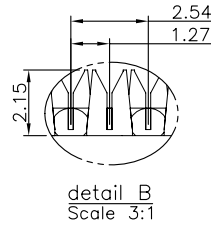
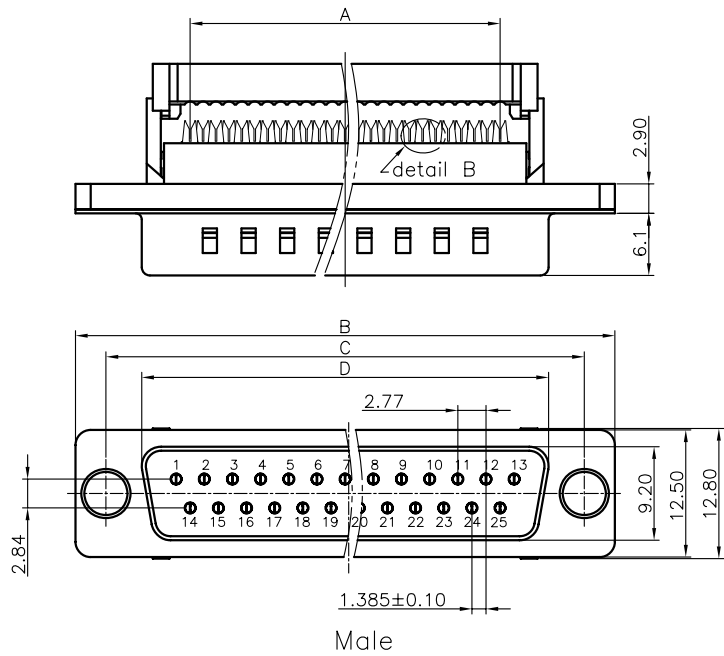
NOTES:

- ELECTRICAL CHARACTERISTICS:
 - CONTACT RESISTANCE: 30mΩ Max.INITIAL.
 - DIELECTRIC WITHSTANDING VOLTAGE:500V AC(rms) FOR 1 MINUTE.
 - INSULATION RESISTANCE:1000MΩ Min.
- MECHANICAL CHARACTERISTICS:
 - DURABILITY: 300 CYCLES.
- ENVIRONMENT CHARACTERISTICS:
 - TEMPERATURE RANGE: -45°C~+105°C.
- PRODUCT NUMBER CODE:

DS1036 - XX X X X X X X

- XX RIVET TYPE
- X P:W/ THREAD(UNC #4-40)
- X N:W/O THREAD
- X CONTACT PLATING
- X Si: SELECTIVE GOLD FLASH
- X HOUSING COLOR
- X U:BLUE
- X B:BLACK
- X STRAIN RELIEF
- X P:W/
- X N:W/O
- X CONNECTOR TYPE
- X M:MALE
- X F:FEMALE
- No.OF CONTACTS
- 09:9pos
- 15:15pos
- 25:25pos
- 37:37pos

Position	A±0.1	B±0.2	C±0.2	D±0.2		E±0.2
				Male	Female	
9P	10.16	30.80	24.99	17.90	16.33	19.00
15P	17.78	39.14	33.32	26.50	24.66	27.34
25P	30.48	53.04	47.04	40.00	38.38	41.24
37P	45.72	69.32	63.50	56.50	54.84	57.52



GENERAL TOLERANCE		ANGLE TOLERANCE	
X.	±0.60	X.	±3°
.X	±0.38	.X	±2°
.XX	±0.25	.XX	±1°

DRAWING TYPE	CUSTOMER		
SCALE	1:1	SHEET	1 OF 1
DRAWING NO.	C-DS1036-XXXXXXX		

PROJECTION		TITLE	I.D.C D-SUB	
UNITS	mm	SHEET SIZE	A4	SERIES DS1036 SERIES

晨翔电子有限公司
CONNFLY CONNFLY ELECTRONIC CO. LTD