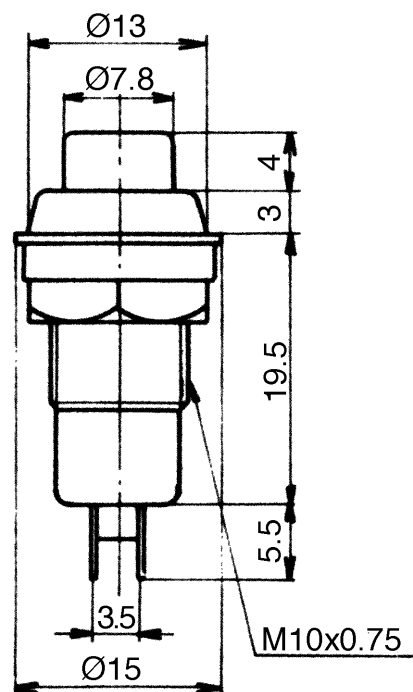


PUSH BUTTON SWITCH

OFF - ON
 OFF - (ON)



Dimensions



Specification

Ambient temperature	Relative humidity	Operating voltage	Rated current
-55 ~ +85°C	98% +40°C	250VAC	1A
Contact resistance	Insulation resistance	Test Voltage	Actuating force
≤0.02Ω	≥1000MΩ	1500V ~ 1	2 - 10N
Life			
10,000			

	TYPE	MODEL
4/6518 ÷ 4/6517	(Single blade) 2P	OFF - ON
4/6514 ÷ 4/6515		OFF - (ON)