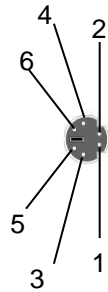
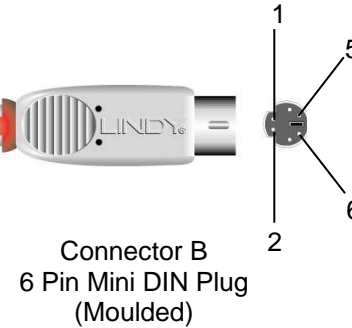
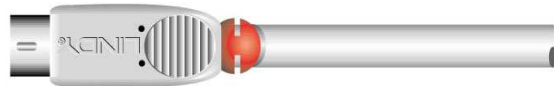


LINDY PRODUCT SPECIFICATION (1 OF 1)

Polybag Size	Overall Length	Product Number
P01	1 m	33265
P2	2 m	33266
P2	3 m	33267
P03	5 m	33268
P03	10 m	33270
P03.5	15 m	31530
P03.5	20 m	33271
P4	30 m	33272
P4	40 m	33273
P4	50 m	33274



Connector A
6 Pin Mini DIN Plug
(Moulded)



Connector B
6 Pin Mini DIN Plug
(Moulded)

A	B	Function	cross section
AWG Size up to 15m cable length:			
1	1		28AWG
2	2		28AWG
3	3	GND	28AWG
4	4	+5V	28AWG
5	5		28AWG
6	6		28AWG
Can	Can		drain & screen
AWG Size from 15m up to 50m cable length:			
1	1		26AWG
2	2		26AWG
3	3	GND	26AWG
4	4	+5V	26AWG
5	5		26AWG
6	6		26AWG
Can	Can		drain & screen

Cable Printing: www.LINDY.com RoHS



Description: PS/2 Cable

- Connectors: 6 Pin Mini DIN Plug
- Cable Type: RoHS compliant, NON-UL approved, 6 Core,
- Aluminium shield + Drain Wire
- Colour: Cool Grey 2C with red S/R

Packaging: LINDY Polybag as above with barcode label

Alterations	Issue	Date	BY	GB	DE
Changed to NON-UL cable	9	31.07.08	ML		ML
Weights removed, packaging amended, updated to issue 6	10	16.02.15	GM	NC	

Drawn By: G.K. 10/11/99

All connectors viewed from front

The following tolerances apply to overall dimensions -0% +10%

© LINDY Electronics Ltd., LINDY-Elektronik GmbH and LINDY group. All rights reserved.

GB Tel: +44 1642-754000 | DE Tel: +49 621-47-005-0
Fax: +44 1642-754027 | Fax: +49 621-47-005-990

