


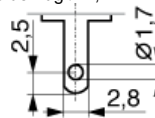

**Order code: 42R034112**

17) IN-/OUTLETS IEC 60320

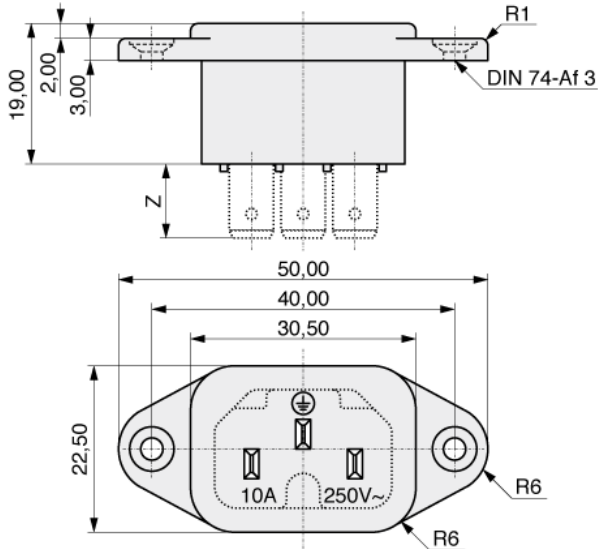
Series: **615**

Power inlet, flange version, horizontal mount. Variations with 36 mm and 40 mm centre hole distance available.

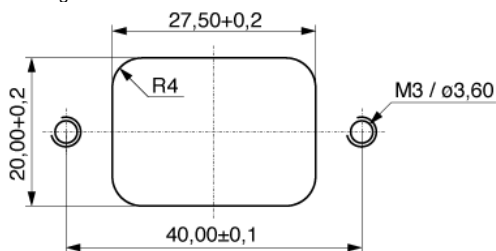
40 mm hole separation for counter-sunk screws

Inlet / Outlet	Inlet
Configuration	A - Standard C14 (70°)
	C14 
Mounting	Horizontal
Inlet termination	E - Solder lug $\varnothing$ 1,7
	
No of fuses	0
Voltage selector	Without
Switch	None
Rated current	10,0 A (15,0 A acc. UL)
Rated voltage	250 V <sub>RMS</sub>
Approvals	
Z	9,30

Configuration/Standard sheet number please see technical data



Mounting hole

**Order code: 42R034112**

MPE Garry GmbH  
Schäfflerstraße 13  
87629 Füssen/Germany

Phone: +49 (0) 83 62 / 91 56-0  
Fax: +49 (0) 83 62 / 91 56-500  
Email: [vk@mpe-connector.de](mailto:vk@mpe-connector.de)

Date: 31.05.2017 Internet: [http://www.mpe-connector.de/index.php?lang=en&menu=16&s\\_product=42R034112](http://www.mpe-connector.de/index.php?lang=en&menu=16&s_product=42R034112)