



Order code: 42R041311

17) IN-/OUTLETS IEC 60320

Series: **636**

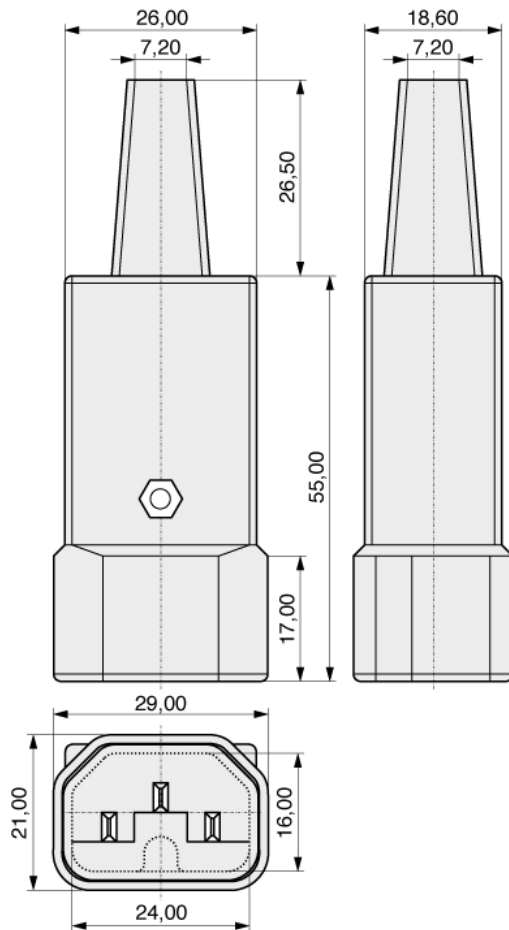


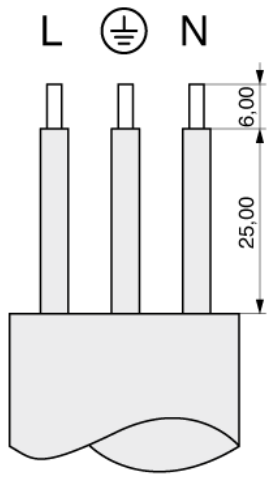
Inlet / Outlet	Inlet
Configuration	1 - Standard E (70°) E 
Mounting	Rewireable cable connector
No of fuses	0
Voltage selector	Without
Switch	None
Rated current	10,0 A (15,0 A acc. UL)
Rated voltage	250 V _{RMS}
Approvals	

Rewireable plug connectors, 3 choices for the cable outlet.

Cable entry centric

Configuration/Standard sheet number please see technical data





Order code: 42R041311



MPE Garry GmbH
Schäfflerstraße 13
87629 Füssen/Germany

Phone: +49 (0) 83 62 / 91 56-0
Fax: +49 (0) 83 62 / 91 56-500
Email: vk@mpe-connector.de

Date: 31.05.2017 Internet: http://www.mpe-connector.de/index.php?lang=en&menu=16&s_product=42R041311