

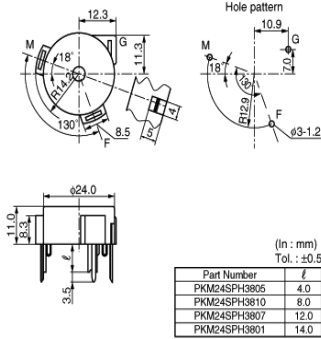
# PKM24SPH3805

To be discontinued

RoHS

REACH

## Appearance & Shape



## Features

Piezoelectric sounder self drive type requires only simple circuit and DC power supply. Since this type uses resonant system, it is also available for alarms which need large sound volume.

## Applications

Other Usage	Consumer/Industrial
-------------	---------------------


## Packaging Information

Packaging	Specifications	Minimum Order Quantity
-	Bulk	360

### Attention

1. This datasheet is downloaded from the website of Murata Manufacturing Co., Ltd. Therefore, its specifications are subject to change or our products may be discontinued without advance notice. Please check with our sales representatives or product engineers before ordering.  
2. This datasheet has only typical specifications because there is no space for detailed specifications. Therefore, please review our product specifications or consult the approval sheet for product specifications before ordering.

# PKM24SPH3805



## Specifications

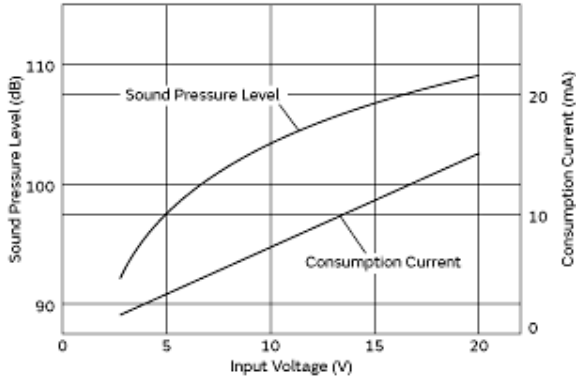
Sound Frequency	3.8kHz
Sound Pressure Level(Min.)	90dB
Measure Condition of Sound Pressure Level	[12Vdc,10cm]
Oscillating Frequency	3.8kHz
Measure Condition of Oscillation Frequency	[12Vdc]
Current Consumption(Max.)	12mA
Measure Condition of Current Consumption	[12Vdc]
Operating Voltage Range	3Vdc to 20Vdc
Operating Temperature Range	-20°C to 70°C
Storage Temperature Range	-30°C to 80°C
Shape	Lead
Lead Shape	Pin type
Lead length	Lead length:4.0mm
Drive Type	Self Drive
EIAJ Part Number	PS-RP3-C24-38

**Attention**

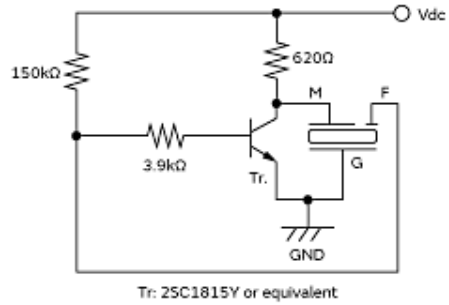
1.This datasheet is downloaded from the website of Murata Manufacturing Co., Ltd. Therefore, it's specifications are subject to change or our products may be discontinued without advance notice. Please check with our sales representatives or product engineers before ordering.  
 2.This datasheet has only typical specifications because there is no space for detailed specifications.  
 Therefore, please review our product specifications or consult the approval sheet for product specifications before ordering.

# PKM24SPH3805

## Product Data



Voltage Characteristics



Recommended Circuit

**Attention**

1. This datasheet is downloaded from the website of Murata Manufacturing Co., Ltd. Therefore, its specifications are subject to change or our products may be discontinued without advance notice. Please check with our sales representatives or product engineers before ordering.  
 2. This datasheet has only typical specifications because there is no space for detailed specifications. Therefore, please review our product specifications or consult the approval sheet for product specifications before ordering.