

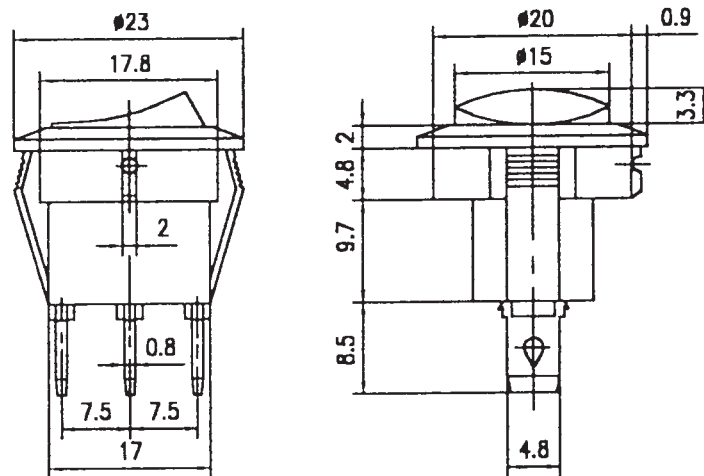
Single-poles Rocker Switch

(TYPE): IRS-101-8C

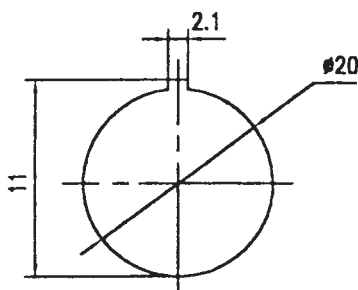
(Specification)

1. (Rating): 13A 125V AC ; 6.5A 250V AC
2. (Contact R): 35m Ω Max
3. (Insulation R): 500V DC 100M Ω min
4. (Dielectric Strength): 1 Minute 1500V AC
5. (Electrical Life): 10, 000 Cycles
6. (Operating Temperature):: -30 $^{\circ}$ C~+80 $^{\circ}$ C

(Outline Drawing)



(P.C. Mounting)



(Circuitry)

