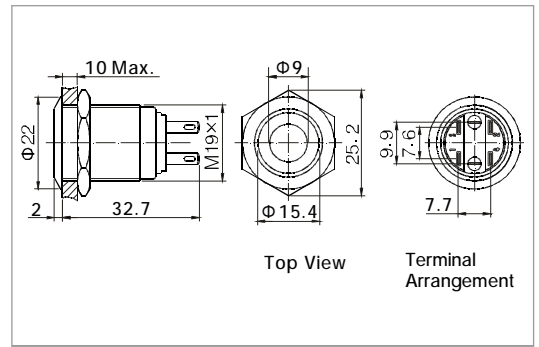


Anti-vandal dot illuminated push button



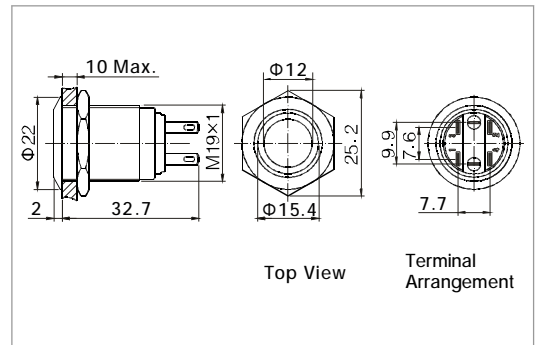
- ⊙ Φ 19mm diameter
- ⊙ Switch Rating: 5A/250VAC
- ⊙ Contact Configuration: 1NO1NC
- ⊙ Operation Type: Momentary
- ⊙ The crust material: Stainless Steel
- ⊙ Dot Illuminated
- ⊙ IP Degree: IP65(IP67 Made to order)



Anti-vandal ring illuminated push button



- ⊙ Φ 19mm diameter
- ⊙ Switch Rating: 5A/250VAC
- ⊙ Contact Configuration: 1NO1NC
- ⊙ Operation Type: Momentary
- ⊙ The crust material: Stainless Steel
- ⊙ Ring Illuminated
- ⊙ IP Degree: IP65(IP67 Made to order)



Specification		LAS1GQ-11D/Δ/▲	LAS1GQ-11E/Δ/▲
The Front Shape		Flat Round	Flat Round
Terminal Type		Pin Terminal(2.8×0.5mm)	Pin Terminal(2.8×0.5mm)
Switching		No.2	No.2
Max.Switch Rating		Ith:5A Ui:250VAC	Ith:5A Ui:250VAC
Contact Resistance		≤50mΩ	≤50mΩ
Insulation Resistance		≥1000MΩ	≥1000MΩ
Dielectric Intensity		2000VAC	2000VAC
Operating Temp		-20℃ ~ +55℃	-20℃ ~ +55℃
Mechanical life		1,000,000cycles	1,000,000cycles
Electrical life		50,000cycles	50,000cycles
Panel Thickness		1 ~ 10mm	1 ~ 10mm
Torque		5 ~ 14Nm	5 ~ 14Nm
Operation Pressure		About 4N	About 4N
Operation Distance		About 2.5mm	About 2.5mm
IP Degree		IP65(IP67 Made to order)	IP65(IP67 Made to order)
Material	Contact	Silver Alloy	Silver Alloy
	Button	Stainless Steel	Stainless Steel
	Body	Stainless Steel	Stainless Steel
	Base	PC	PC
	RoHS	Made to order	Made to order
LED Spec.	Type	Dot Illuminated(LED)	Ring Illuminated(LED)
	Rated Voltage	6V / 12V / 24V / 110V / 220V	6V / 12V / 24V / 110V / 220V
	Color	R G Y O B W	R G Y O B W
	Life	40000hours	40000hours