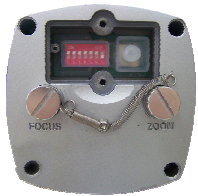


IR cameras

CIR700 series

New!



CIR700-312WDR



CIR700-922WDR



CIR700-650WDR

CIR700 series is the newest range of Fracarro professional cameras, and is created as an extension of the well-known CIR700-650WDR, with varifocal 6-50 mm, infrared leds for vision up to 60 mt.

The most relevant characteristics of this range are the excellent video and camera quality, with outstanding user-friendliness; the two new models have been created to control smaller areas (focal 2,8-12mm and 9-22mm, with illuminator up to 40 mt).

The true D&N function with ICR (infrared mechanical Filter) guarantees both hi-fidelity colours in day-time and really clear images in the night-time.

Its integrated IR illuminator is composed by two types of LED, to cover both medium and long distance; each type of LED can be set to avoid the white effect of the night time images.

All video settings can be easily adjusted by the rear joystick and Multilanguage OSD menu provided by the newest DSP Sony EFFIO.

The wall bracket protects the cables while the strong IP67 protection allows safe installation for both indoor and outdoor environments.

A bracket for an easy pole installation, CIR700-POLE, is available as an option.

Main features

- High resolution 700 TVL with Sony EFFIO
- IR illuminator with LED power adjustable
- External varifocal adjustment
- True Day&Night with mechanical filter
- Wide Dynamic Range
- Autoiris function on aspherical lens
- Built-in OSD Menu
- Strong protection IP67
- Pole bracket available as optional, CIR700-POLE

Package content:



Camera with bracket



Fixing screws for wall and ceiling



Tool for bracket adjustment



User manual



		CIR700-312WDR	CIR700-922WDR	CIR700-650WDR
Code		918153	918154	918149
Standard video			PAL, 1/3" Sony SUPER HAD CCD	
Pixel			1028(H) x 596(V)	
Resolution			700 TVL	
Minimum Illumination			0,17 lux F2.0 (0 lux with IR led on)	
Signal to Noise ratio (S/N)			> 50 dB (AGC Off)	
Synchronization			2:1 Internal (Line Lock only ion 24VAC mode)	
Video output			Composite video signal, 1 Vpp 75Ω on BNC	
Lens				
Focal	mm	2.8 - 12	Varifocal with mechanical built-in IR filter 9 - 22	6 - 50
Lens adjustment			Manual external adjustment by rear panel	
Advanced functions				
DSP			Sony Effio-E	
Auto Gain Control (AGC)			Auto (4 step)	
Back Light Compensation (BLC)			HLC / BLC / OFF	
Auto white balance (AWB)			ATW / PUSH / USER1 / USER2 / ANTI CR / MANUAL / PUSH LOCK	
Auto Electronic Shutter (AES)	AUTO MANUAL		1/50(60)~1/100,000sec	
Special functions			1/50(60), FL 1/120(100), 1/250, 1/500, 1/1,000, 1/2,000, 1/4,000, 1/10,000sec.	
Camera title			Mosaic, Mirror	
Day&Night			On/Off max 15 characters	
Menu			On/Off/Auto	
Motion detection			OSD	
Privacy masks			On/Off/Auto (max 4 zones)	
Wide Dynamic Range			On/Off/Auto (max 8 zones)	
Infrared illuminator				
Num. And type of leds	n°		34 led (26 uniform + 8 long distance)	42 led (36 uniform + 6 long distance)
Distance	m		Adjustable 20-40 m	Adjustable 30-60 m
Checking ignition			Light sensor CDS, hysteresis 3.1 ~ 3.7 lux	
Generals				
Level of protection			IP67	
Power			12 Vdc +/- 10%	12 Vdc +/- 10% / 24VAC
Absorption maximum	Led Off		6.5W (530mA@12Vdc)	12W (1A@12Vdc)
	Led On		1.56W (130mA@12Vdc)	2.16W (180mA@12Vdc)
Humidity of operation	Hr %		85 max	
Temperature operation	°C		-10°C ~ +50	
Size (WxHxD)	Camera		88.5 x 88.7 x 199.2 mm	100 x 101 x 222 mm
	With Bracket		88.5 x 187 x 261.4 mm	100 x 203 x 281 mm
Weight (Net / Gross)	g		1500/1900	1740 / 2150





Fracarro Radioindustrie S.p.A.
via Cazzaro, 3
31033 Castelfranco Veneto (TV)
Italy
tel. +39 0423 7361
fax +39 0423 736220
www.fracarro.com
info@fracarro.com

Fracarro (UK) Ltd
Unit A.
Ibex House, Keller Close
Kiln Farm, Milton Keynes.
MK11 3LL
UK
Tel. +44(0)1908 571571
Fax +44(0)1908 571570

Fracarro Ibérica
Poligono Táctica "Ciudad
de los negocios"
C/2A, nº 4 - 46980
Paterna - Valencia
Tel. +34/961340104
Fax. +34/961340691

Fracarro France S.A.S.
14 bis rue du Ratrait
92158 Suresnes Cedex
France
Tel. +33 1 47283400
Fax +33 1 47283421

Fracarro Tecnologia e
Antenas de Televisao Lda
Rua Alexandre Herculano, nº1-1ºB
Edifício Central Park
2795-242 Linda-a-Velha
Portugal
Tel.: +351214156800
Fax: +351214156809

Optional accessories	Code	Descrizione	Foto
CIR700-POLE	918150	Bracket for pole installation (pole diam. 140-170mm) . Comply with cameras CIR20-EV67H-B, CIR40-EV67H-B, CIR700 series 650WDR.	
PSU-12V2A	918002	Power adapter 12Vdc max with DC plug	
PSU-12V4A	918093	Power adapter for big installation; DIN rail mounting; 12Vdc/ 4A max; input / output screw contacts. Output voltage adjustable by trimmer 12-14Vdc.	
TR-24VAC20VA	918095	Power adapter 24Vac/20W max - DIN rail mounting Input / output screw contacts.	

Fracarro Radioindustrie S.p.A.
via Cazzaro, 3
31033 Castelfranco Veneto (TV)
Italy
tel. +39 0423 7361
fax +39 0423 736220
www.fracarro.com
info@fracarro.com

Fracarro (UK) Ltd
Unit A.
Ibex House, Keller Close
Kiln Farm, Milton Keynes.
MK11 3LL
UK
Tel. +44(0)1908 571571
Fax +44(0)1908 571570

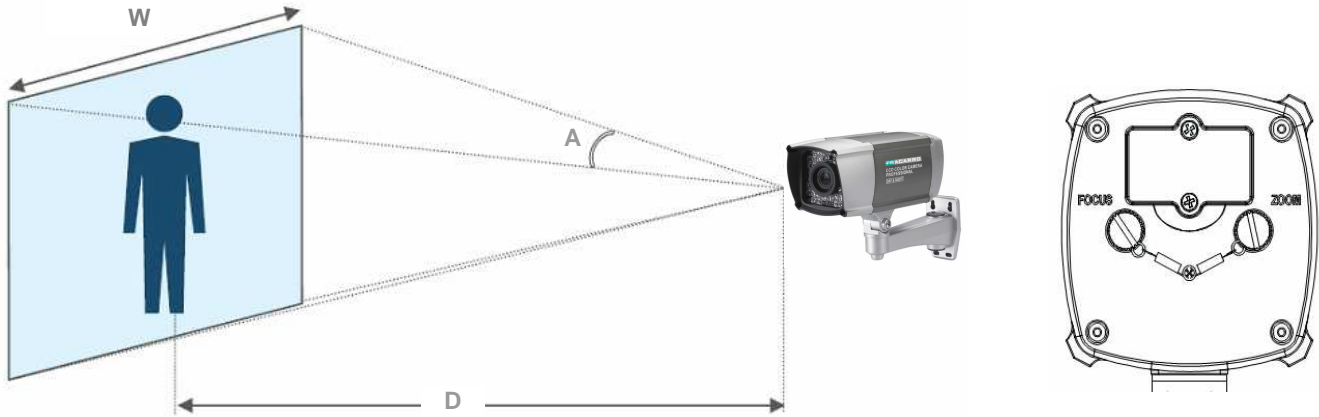
Fracarro Ibérica
Poligono Táctica "Ciudad
de los negocios"
C/2A, nº 4 - 46980
Paterna - Valencia
Tel. +34/961340104
Fax. +34/961340691

Fracarro France S.A.S.
14 bis rue du Ratriat
92158 Suresnes Cedex
France
Tel. +33 1 47283400
Fax +33 1 47283421

Fracarro Tecnologia e
Antenas de Televisao Lda
Rua Alexandre Herculano, nº1-1ºB
Edifício Central Park
2795-242 Linda-a-Velha
Portugal
Tel.: +351214156800
Fax: +351214156809

User-friendliness

Focal adjustable from rear panel.



		D = Distance of target in meters					
		5	10	20	30	40	50
Lens [mm]	A=Angle	W = Width of view @ different distance [m]					
		2,8 mm	81,2°	8,6	17,1	34,3	51,4
4 mm	61,9°	6,0	12,0	24,0	36,0	48,0	60,0
6 mm	43,6°	4,0	8,0	16,0	24,0	32,0	40,0
8 mm	33,4°	3,0	6,0	12,0	18,0	24,0	30,0
9 mm	29,9°	2,7	5,3	10,7	16,0	21,3	26,7
10 mm	27,0°	2,4	4,8	9,6	14,4	19,2	24,0
12 mm	22,6°	2,0	4,0	8,0	12,0	16,0	20,0
15 mm	18,2°	1,6	3,2	6,4	9,6	12,8	16,0
18 mm	15,2°	1,3	2,7	5,3	8,0	10,7	13,3
22 mm	12,5°	1,1	2,2	4,4	6,5	8,7	10,9
30 mm	9,1°	0,8	1,6	3,2	4,8	6,4	8,0
40 mm	6,9°	0,6	1,2	2,4	3,6	4,8	6,0
50 mm	5,5°	0,5	1,0	1,9	2,9	3,8	4,8

CIR700-312WDR

CIR700-922WDR

CIR700-650WDR

Fracarro Radioindustrie S.p.A.
via Cazzaro, 3
31033 Castelfranco Veneto (TV)
Italy
tel. +39 0423 7361
fax +39 0423 736220
www.fracarro.com
info@fracarro.com

Fracarro (UK) Ltd
Unit A.
Ibex House, Keller Close
Kiln Farm, Milton Keynes.
MK11 3LL
UK
Tel. +44(0)1908 571571
Fax +44(0)1908 571570

Fracarro Ibérica
Poligono Táctica "Ciudad
de los negocios"
C/2A, nº 4 - 46980
Paterna - Valencia
Tel. +34/961340104
Fax. +34/961340691

Fracarro France S.A.S.
14 bis rue du Ratriait
92158 Suresnes Cedex
France
Tel. +33 1 47283400
Fax +33 1 47283421

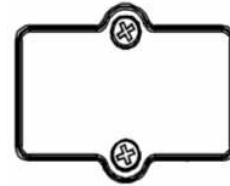
Fracarro Tecnologia e
Antenas de Televisao Lda
Rua Alexandre Herculano, nº1-1ºB
Edifício Central Park
2795-242 Linda-a-Velha
Portugal
Tel.: +351214156800
Fax: +351214156809

ADVANCED SETTINGS

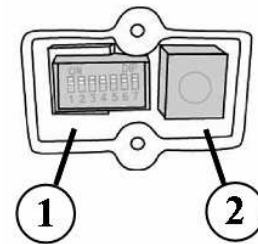
Advanced settings are available removing the metal protection by dipswitch and joystick.

1 – DIP-SWITCH

Dip 1	Not used yet
Dip 2	Day&Night On/Off
Dip 3	Uniform led On/Off
Dip 4	Long distance led On/Off
Dip 5	Uniform led Power: Low/High
Dip 6	Long distance led Power: Low/High
Dip 7	White led for keyboard illumination: On/Off

**2 – JOYSTICK**

Up	Move up / increase values
Down	Move down / decrease values
Left	Close sub-menu
Right	Open sub-menu
Center	Enter



Fracarro Radioindustrie S.p.A.
via Cazzaro, 3
31033 Castelfranco Veneto (TV)
Italy
tel. +39 0423 7361
fax +39 0423 736220
www.fracarro.com
info@fracarro.com

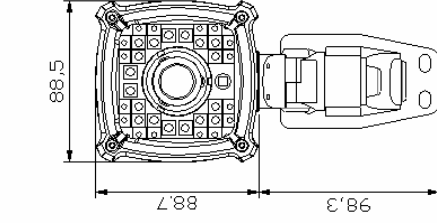
Fracarro (UK) Ltd
Unit A.
Ibex House, Keller Close
Kiln Farm, Milton Keynes.
MK11 3LL
UK
Tel. +44(0)1908 571571
Fax +44(0)1908 571570

Fracarro Ibérica
Poligono Táctica "Ciudad
de los negocios"
C/2A, nº 4 - 46980
Paterna - Valencia
Tel. +34/961340104
Fax. +34/961340691

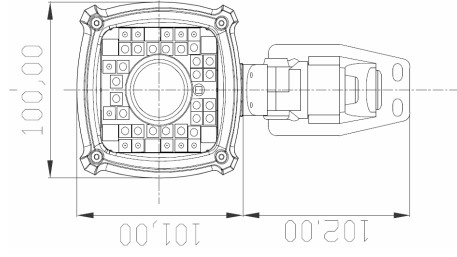
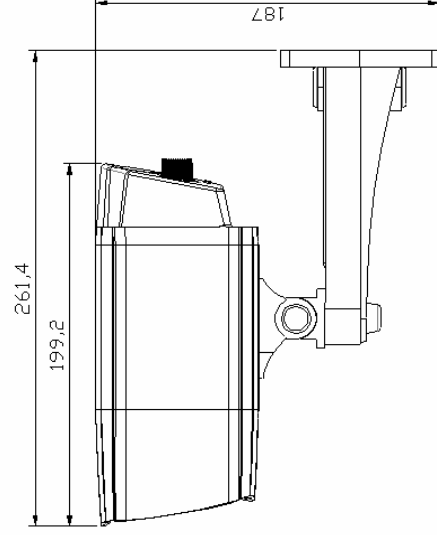
Fracarro France S.A.S.
14 bis rue du Ratrait
92158 Suresnes Cedex
France
Tel. +33 1 47283400
Fax +33 1 47283421

Fracarro Tecnologia e
Antenas de Televisao Lda
Rua Alexandre Herculano, nº1-1ºB
Edifício Central Park
2795-242 Linda-a-Velha
Portugal
Tel.: +351214156800
Fax: +351214156809

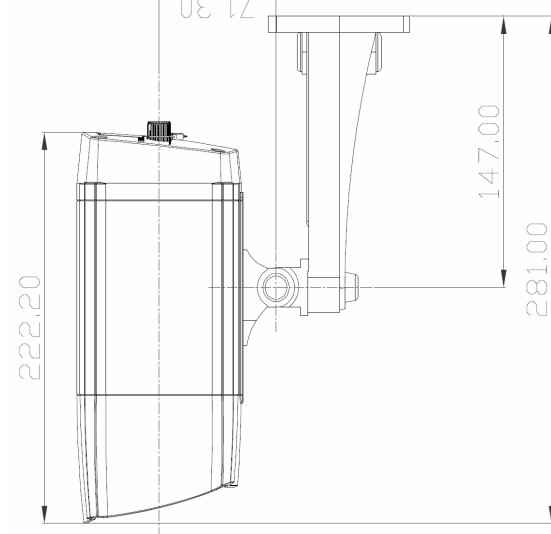
Mechanical draft



CIR700-312WDR
CIR700-922WDR



CIR700-650WDR



Fracarro Radclouidustrie S.p.A.
via Gazzaro, 3
31033 Castel Franco Veneto (TV)
Italy
tel. +39 0423 7361
fax +39 0423 736220
www.fracarro.com
info@fracarro.com

Fracarro (UK) Ltd
Unit A,
Ibex House, Keller Close
Kiln Farm, Milton Keynes.
MK11 3LL
UK
Tel. +44(0)1908 571571
Fax +44(0)1908 571570

Fracarro Ibérica
Poligono Táctica "Ciudad
de los negocios"
C/2A, nº 4 - 46980
Paterna - Valencia
Tel. +34/961940104
Fax. +34/961940691

Fracarro France S.A.S.
14 bis rue du Ratrait
92158 Suresnes Cedex
France
Tel. +33 1 47283400
Fax +33 1 47283421

Fracarro Tecnologia e
Antenas de Televisao Lda
Rua Alexandre Herculano, nº1-1B
Edifício Central Park
2795-242 Linda-a-Velha
Portugal
Tel.: +351214156800
Fax: +351214156809