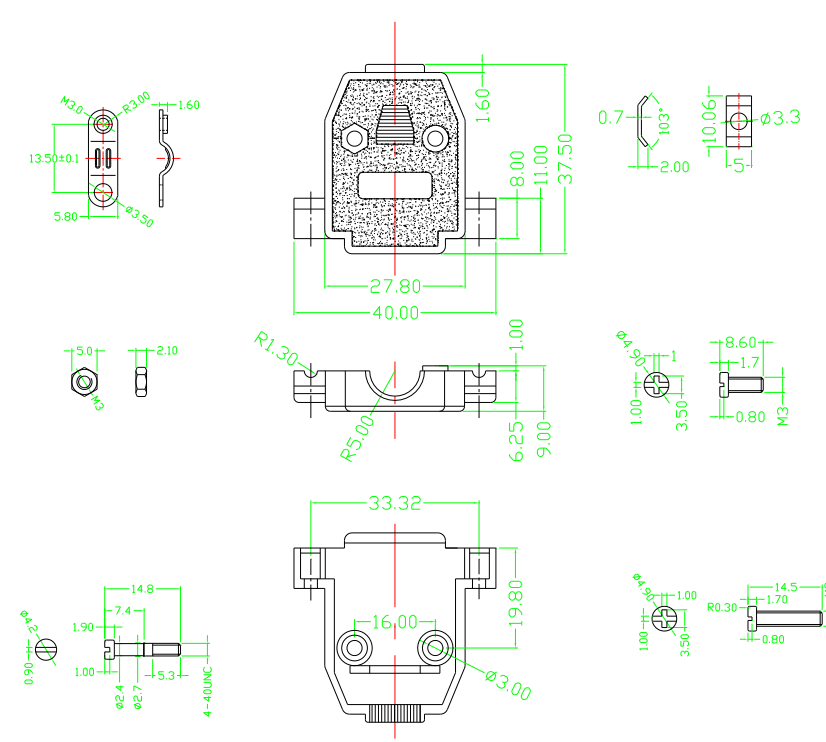


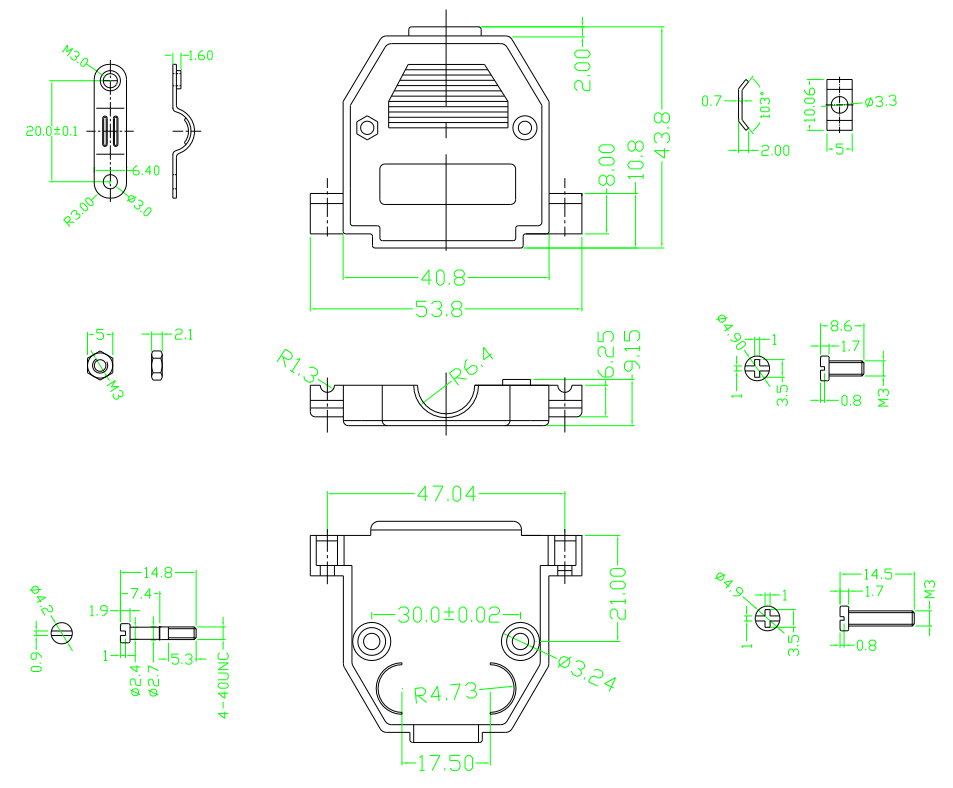
设计/Designed by	绘图/Drawing by	审核/Checked by	批准/Approved by	未注公差 General Tolerance
 Elco Elettronica Srl www.elcoteam.com				图名/Title 文件编号/File No.
				备注/Remark

序号/revno. 更改记录/revison note 签名/signature 日期/date



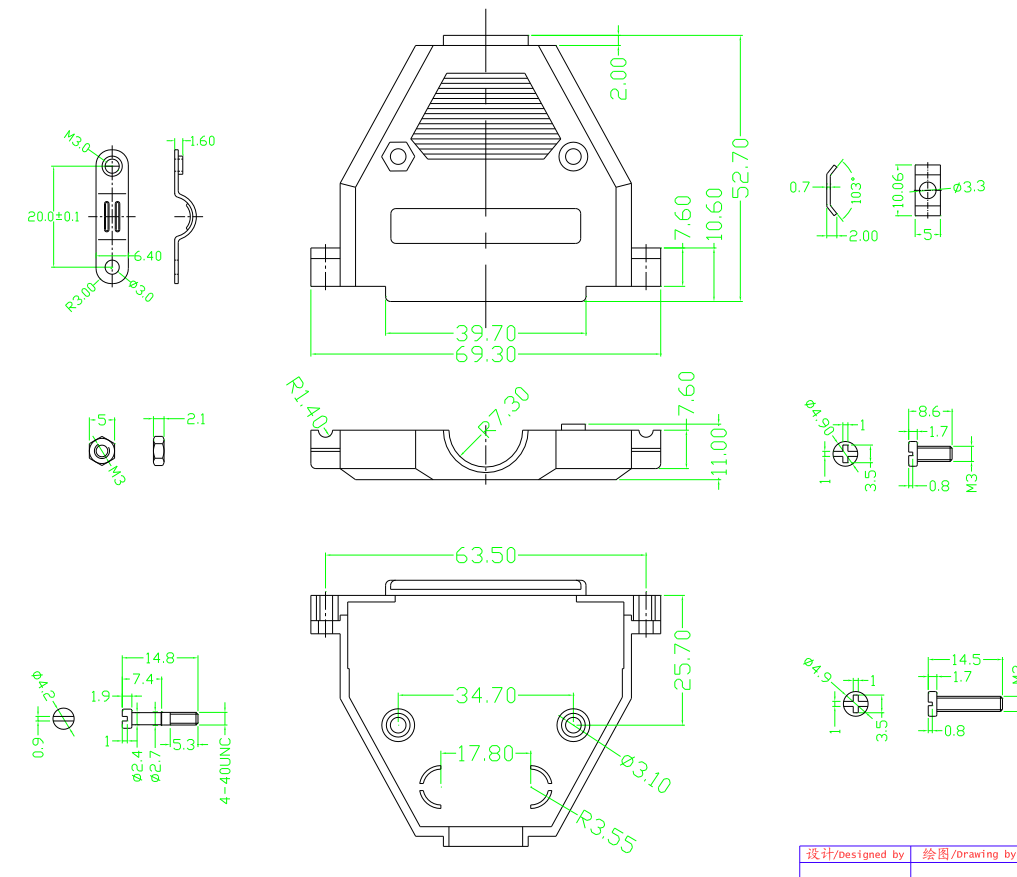
设计/Designed by	绘图/Drawing by	审核/Checked by	批准/Approved by	未注公差 General Tolerance
 Elco Elettronica Srl www.elcoteam.com				图名/Title 文件编号/File No.
				备注/Remark

序号/RevNo. 更改记录/Revison note 签名/signature 日期/date



设计/Designed by	绘图/Drawing by	审核/Checked by	批准/Approved by	未注公差 General Tolerance
 Elco Elettronica Srl www.elcoteam.com				图名/Title 文件编号/File No.
				备注/Remark

序号/revno. 更改记录/revison note 签名/signature 日期/date



设计/Designed by	绘图/Drawing by	审核/Checked by	批准/Approved by	未注公差 General Tolerance
 Elco Elettronica Srl www.elcoteam.com				图名/Title 文件编号/File No.
				备注/Remark

序号/RevNo. 更改记录/Revison note 签名/signature 日期/date