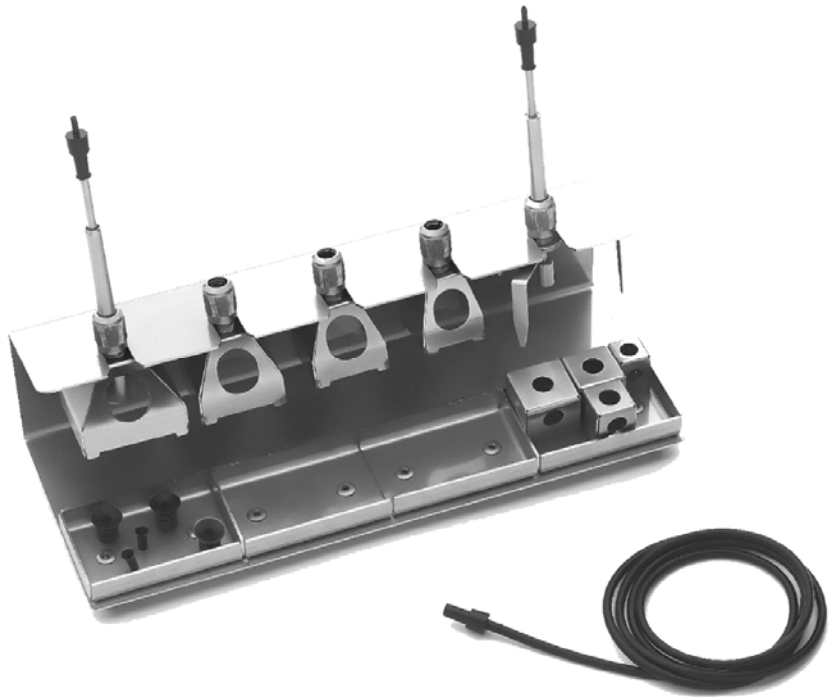


## WRK



Betriebsanleitung - Operating Instructions

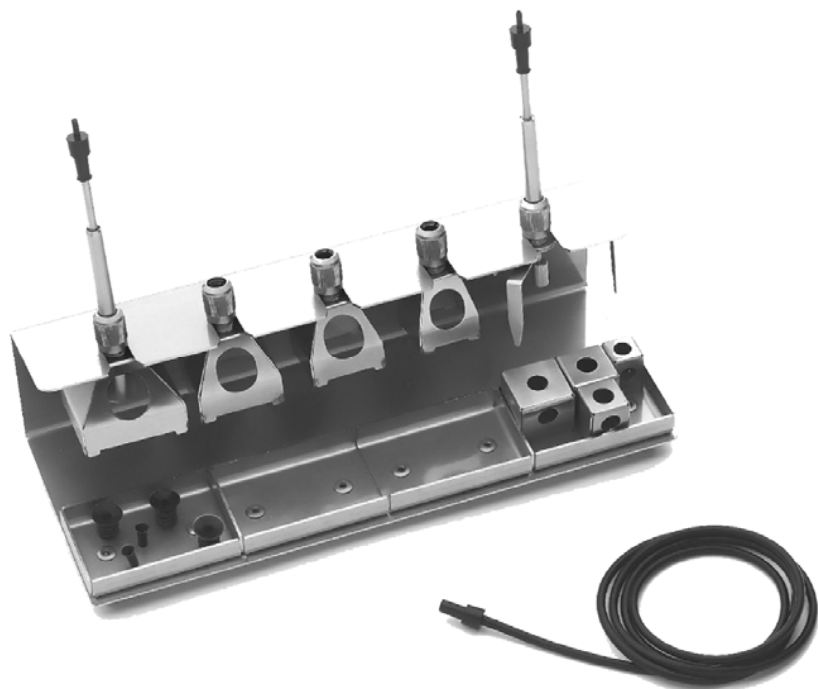
005 57 056 00 / 03.2007

Replaces: First Edition



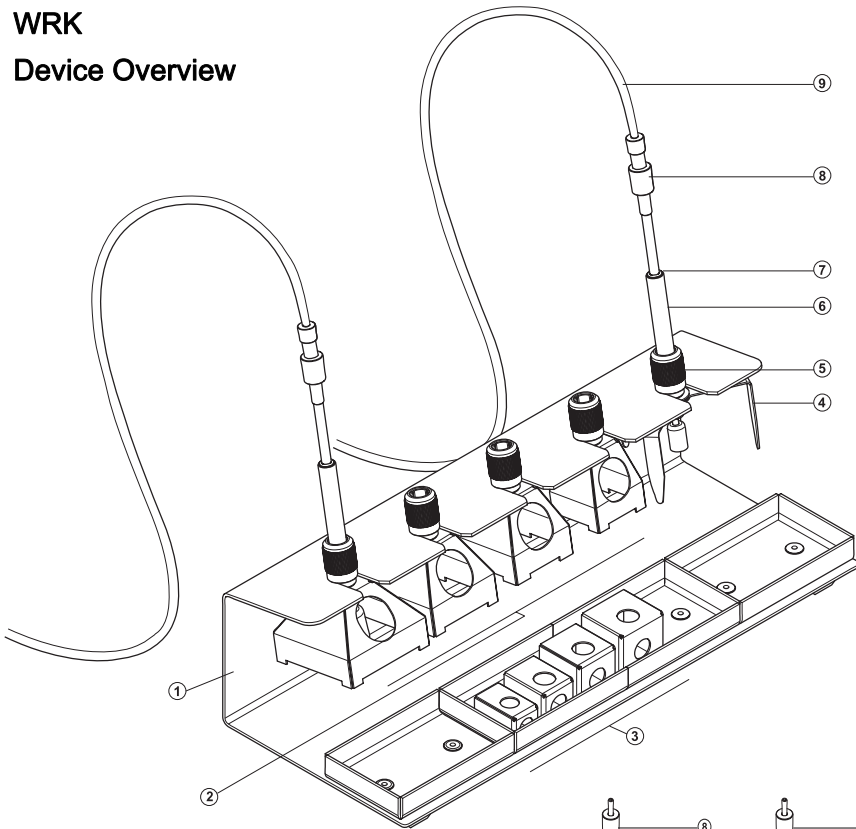
WRK

## Operating Instructions

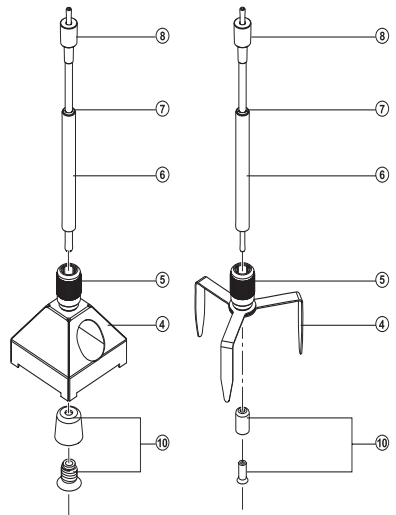


# WRK

## Device Overview



- 1 Holder
- 2 Reflow nozzle, large
- 3 Reflow nozzle, small
- 4 Tripod
- 5 Clamping sleeve
- 6 Pick-up
- 7 Marker ring
- 8 Connecting nipple
- 9 Vacuum hose
- 10 Suction insert with heat shield



## Contents

1 About these instructions .....	3
2 For your safety .....	3
3 Scope of delivery .....	4
4 Description of the WRK .....	4
5 Starting up the WRK .....	5
6 Operating the WRK .....	6
7 Looking after and servicing the WRK .....	8
8 Accessories .....	8
9 Disposal .....	8
10 Warranty .....	8

## 1 About these instructions

Thank you for the confidence you have shown in buying the Weller WRK. The device has been manufactured in accordance with the most rigorous quality standards, which ensure that the device operates perfectly.

These instructions contain important information which will help you to start up, operate and service the WRK safely and correctly as well as to eliminate simple faults/malfunctions yourselves.

- ▷ Read these instructions in their entirety before working with the WRK.
- ▷ Keep these instructions in a place that is accessible to all users.

### 1.1 Documents also applicable

- Operating instructions of your control unit and accompanying Safety Information booklet

## 2 For your safety

The WRK has been manufactured in accordance with state-of-the-art technology and recognised safety rules and regulations. There is nevertheless the risk of personal injury and damage to property if you fail to observe the safety information set out in the enclosed booklet accompanying the control unit and the warnings given in these instructions. Always pass on the WRK to third parties together with these Operating Instructions.

### 2.1 Intended use

Use the WRK exclusively for the purpose indicated in the Operating Instructions of releasing, accommodating and setting down chip components under the conditions specified here. Intended use of the WRK also includes the requirement that

- you read and follow these instructions,
- you read and follow all additional accompanying documents,
- observe the national accident-prevention regulations applicable at the location where the device is being used.

The manufacturer accepts no responsibility for unauthorised changes/alterations made to the WRK.

### 3 Scope of delivery

- WRK comprising holder, pick-up (dia. 4.5 mm), pick-up (dia.10 mm), tripod, reflow nozzles - large (33x33 mm, 27x27 mm, 24x24 mm, 20x20 mm) and small (18x18 mm, 15.5x15.5 mm, 12.5x12.5 mm, 10x10 mm)
- 3 suction inserts each for dia. 4.5 mm and dia. 10 mm
- 2 vacuum hoses with connecting nipple
- Operating Instructions for WRK desoldering set

### 4 Description of the WRK

The Weller WRK desoldering set optimises the desoldering process and enables chip components to be accommodated precisely and without being damaged during desoldering.

The release and accommodation procedure can be optimised for each component size between 3 mm and 30 mm with the aid of the different reflow nozzles.

The reflow nozzles are suitable for the use of the HAP 1 and HAP 200 desoldering tools.

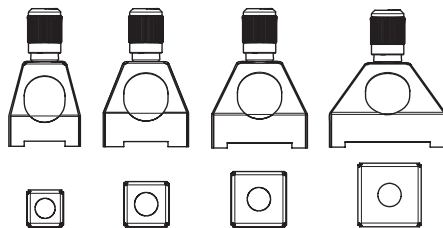
#### Suitable reflow nozzles for HAP 1 and HAP 200

HAP 200

HAP 1

reflow  
nozzles  
large

Reflow  
nozzles  
small



HAP 200

HAP 1

## 5 Starting up the WRK

### WARNING!



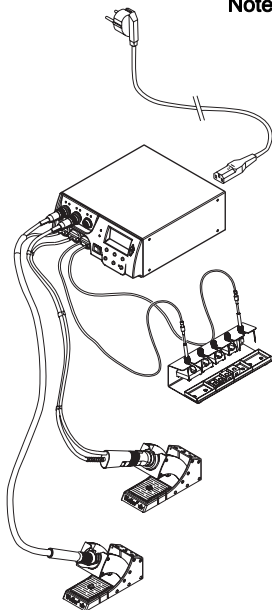
### Risk of injury due to incorrectly connected vacuum hose.

If the vacuum hose is incorrectly connected, hot air and liquid solder can escape when the HAP is actuated and cause injuries.

- ▷ Never connect the vacuum hose to the "Air" nipple!

**Note** Also read and observe the Operating Instructions of your control unit

1. Carefully unpack the WRK.
2. Engage reflow nozzles (2, 3), tripod (4) and pick-up (6) in holder (1).
3. Switch off the control unit.
4. Connect the hot-air pencil (HAP) with air hose to the "Air" outlet of the control unit and insert with the attachment plug in the correct connection socket of the repair station and lock by turning clockwise slightly (connect HAP 1 with adapter only).
5. Connect pick-up (6) with vacuum hose to the pick-up nipples of the control unit.
6. Secure a suitable reflow nozzle or tripod to the pick-up (see Sections 5.1 and 5.2).



It is possible to use large reflow nozzles, small reflow nozzles with tripod or the tripod on its own to lift off small workpieces with the pick-up.

### 5.1 Mounting the reflow nozzle

1. Check the pick-up (dia. 10 mm) to ensure that the components (clamping sleeve (5), marker ring (7) and suction insert with heat shield (10)) are correctly seated.
2. Screw nozzles directly to pick-up (6) with the aid of clamping sleeve (5).

**Note** The reflow nozzles are not screwed directly to the pick-up (dia. 4.5 mm). Here the tripod ensure that the pick-up (dia. 4.5 mm) is correctly positioned in the nozzle and on the workpiece.

## 5.2 Mounting the tripod

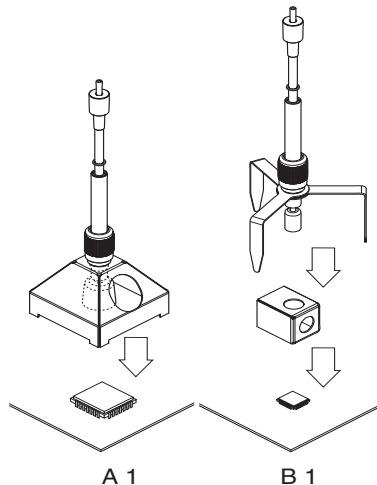
1. Check the pick-up (dia. 4.5 mm) to ensure that the components (clamping sleeve (5), marker ring (7) and suction insert with heat shield (10)) are correctly seated.
2. Screw tripod (4) to pick-up (6) with the aid of clamping sleeve (5).  
You can use the pick-up (dia. 4.5 mm) mounted in this way with a small reflow nozzle (A) or without a reflow nozzle (B). When working without a reflow nozzle, you can also use a 10 mm dia. pick-up.

## 6 Operating the WRK

WRK operation during the desoldering procedure is divided into 3 steps:

1. Positioning the pick-up
2. Preparing the pick-up
3. Desoldering and lifting off the workpiece

### 6.1 Positioning the pick-up

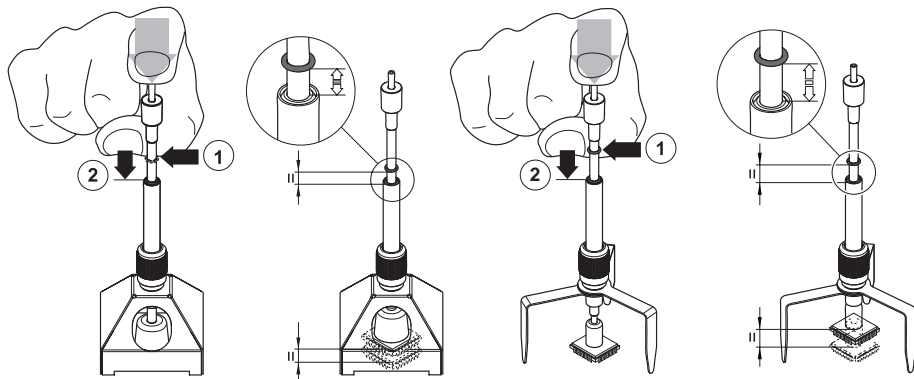


The workpiece to be raised must be at least 2 mm smaller than the diameter of the reflow nozzle used, otherwise the raised workpiece may be damaged.

- ▷ Carefully position large reflow nozzle (A) or tripod with small reflow nozzle (B) with the correctly mounted and prepared pick-up over the workpiece and set down.



## 6.2 Preparing the pick-up



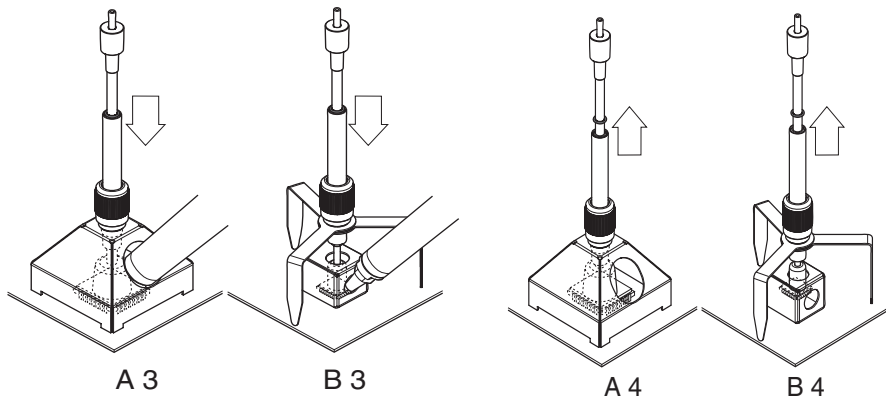
A 2

B 2

1. Carefully position the pick-up with mounted reflow nozzle or with the tripod over the workpiece.
2. Carefully press the pick-up down 3-5 mm over the workpiece (1) without damaging the workpiece.
3. Switch on the vacuum on the control unit and subject the component to suction.
4. Slide the rubber marker in this position downwards (2).

The marker ring indicates whether the workpiece subjected to suction is raised (rubber = at top) or not raised (rubber = at bottom).

## 6.3 Desoldering and lifting off the workpiece



A 3

B 3

A 4

B 4

1. Position the pick-up over the workpiece (see 6.1) and prepare desoldering (see 6.2).
2. Feed the hot-air tool from the side through the designated nozzle opening up to the workpiece and actuate the tool until the workpiece is detached and raised by the pick-up fitting.  
The marker ring is now in the upper position.
3. Remove the hot-air tool and switch off.
4. Position the pick-up together with the nozzle and the workpiece subjected to suction on the desired set-down surface.
5. Carefully press the pick-up downwards and switch off the vacuum.

The workpiece is set down on the set-down surface.

**Note** You can also work without a reflow nozzle, e.g. in the case of workpieces > 30 mm.

## 7 Looking after and servicing the WRK

Clean the WRK on a regular basis with a mild special-steel cleaning agent.

## 8 Accessories

005 15 15 499 WRK holder

005 87 617 30 Desoldering set 33x33/24x24 with pick-up

005 87 617 31 Desoldering set 27x27/20x20 with pick-up

005 87 617 32 Desoldering set 18/15.5/12.5/10 with pick-up

## 9 Disposal

Dispose of replaced equipment parts, filters or old devices in accordance with the rules and regulations applicable in your country.

## 10 Warranty

Claims by the buyer for physical defects are time-barred after a period of one year from delivery to the buyer. This does not apply to claims by the buyer for indemnification in accordance with §§ 478, 479 BGB (German Federal Law Gazette).

We shall only be liable arising from a warranty furnished by us if the quality or durability warranty has been furnished by use in writing and using the term "Warranty".



The logo for Cooper Hand Tools features a stylized black parallelogram above the word "COOPER" in a bold, sans-serif font, followed by "Hand Tools" in a smaller, regular sans-serif font.

# COOPER Hand Tools

[www.cooperhandtools.com/europe](http://www.cooperhandtools.com/europe)

## Cooper Tools GmbH

Carl-Benz-Str. 2  
74354 Besigheim  
Germany  
Tel.: (07143) 580-0  
Fax.: (07143) 580-108

## Cooper Tools S.A.S.

25 Rue Maurice Chevalier BP 46  
77832 Ozoir-la-Ferrière Cedex  
France  
Tél. : (01) 60 18 55 40  
Fax. : (01) 64 40 33 05

## Cooper Tools

A Division of Cooper  
(Great Britain) Limited  
4<sup>th</sup> Floor Pennine House Washington  
Tyne & Wear  
NE37 1LY  
Great Britain  
Tel.: (0191) 419 7700  
Fax.: (0191) 417 9421

## Cooper Italia S.r.l.

Viale Europa 80  
20090 Cusasgo (MI)  
Italy  
Tel.: (02) 90 33 101  
Fax.: (02) 90 39 42 31

## Cooper Tools B.V.

Phileas Foggstraat 16  
7821 AK Emmen Drenthe  
The Netherlands  
Phone.: (0591) 66 75 00  
Fax.: (0591) 66 75 95

## Cooper Tools

P.O. Box 728  
Apex, NC 27502-0728

### Northeast

Phone: 919-362-7540  
Fax.: 800-854-5137

### South

Phone: 919-362-7541  
Fax.: 800-854-5139

### Midwest

Phone: 919-362-7542  
Fax.: 800-854-5138

### West Coast (Southwest)

Phone: 919-362-1709  
Fax.: 800-846-7312

### All other USA inquires

Fax.: 800-423-6175